

AirMax II DX/W

Product Description

Applications

This new range of industrial unit coolers has been designed using the well-known Airmax technology, which has become a standard for all installers and end users.

Airmax II is available as a direct expansion evaporator (DX) for all HFCs as well as water/glycol unit coolers. This new industrial line is designed to keep fresh and frozen goods refrigerated from +30 to -40°C, with a high or low humidity content.

Thanks to a wide capacity range (from 5 to 180 kW), which can be achieved using several coil combinations, fan diameters (up to 800mm), different fin spacing and a long list of options, Alfa Laval can fulfil every requirement with more than 200 standard models.

Standard design

Coil

The heat exchanger is designed to achieve optimal capacity thanks to the staggered pitch rows that give a high secondary fin surface. The large fin surface ensures longer intervals between defrost cycles, therefore reducing the amount of daily energy used. The coils are manufactured with a special aluminium fin array and have a high efficiency internal copper tube with a grooved inner wall with 12 mm nominal bore. All this allows for a minimal internal volume with the advantage of using less refrigerant.

Water/glycol

For water/glycol applications, the coil is designed with same fin pattern and smooth 5/8" copper tube. All connections are thread connections with vent and drain plug as standard.

All other characteristics are the same as for the Airmax II DX.

Casing

All units are manufactured using galvanised steel, zinc-coated and finished in corrosive-resistant RAL, except the drip tray which is aluminium coated.

The frame has been designed to ensure easy installation and maintenance. A large, deep drip tray allows fast discharge of defrost water and the hinge fastening allows for easy maintenance. The supports have two different positions (ceiling or space) to enable installation of the water defrost cassette.

Structural parts are fastened with stainless steel bolts and screws. Structures are made in galvanised steel with optimised length to enable uniform air suction in the coil.

All panels such as the drip tray end covers are hinged for easier accessibility, making installation, servicing and maintenance easier than for other standard unit coolers.

Benefits

- Low installation costs
- Reliable performance
- Long air throw
- Designed for all working conditions



- Uniform distribution throughout the cold room
- Corrosion resistance by powder coating
- Plug-in installation
- Easy to clean, long service life
- Eurovent certified

Options

- Electric defrost
- Light electric defrost
- Hot Gas defrost, coil and drip tray (DX only)
- Water defrost (suggested for TC above -5°C)
- Combined defrost systems
- Drip tray insulation (not combined with electric defrost)
- Alfastreamer (only for 500/630/800mm fans)
- Air sock adapter ring
- Fan ring heater
- Supply voltage 230V-1ph-50Hz (500mm only)
- 50 or 60 Hz for all models
- Wired fan motors
- Switch on/off single fan motor
- Stainless steel 304 casing including drip tray
- Stainless steel 304 drip tray only
- Floor mounting supports
- Epoxy pre-coated fins

- Cataphoresis coil treatment

Fans

Air suction fans are available in four different fan diameters: 500, 560, 630 and 800 mm, with a 2-speed, three-phase motor (Δ/γ) 400V 50Hz. The motors have a dynamically and statically balanced external rotor and are manufactured in accordance with VDE 0530/12.84 IP54 class F.

Integrated thermo contacts (Clikson), provide reliable protection against thermal overload.

All standard motors can work at temperatures down to -40°C . Special lubrication is available on request.

R&D has developed the air flow distribution in order to give a uniform air velocity in the coil with:

- High efficiency sickle blade
- Better distribution in cold rooms
- Reduced noise levels
- Increased air throw

T [°C]	20	10	0	-10	-15	-20	-25	-30
Fc	1	1,04	1,08	1,12	1,14	1,16	1,18	1,2

Test

Each DX heat exchanger undergoes a pressure and leak test with dry air at 31 bar, and is finally supplied with a nitrogen pre-charge, while the water/glycol is tested at 11 bar.

Model	Capacity*		Air Flow	Air Throw		Sur-face	Tube volume	Defrost					Fan Motors n°x ø	Fan Motors	Noise	Connections		Weight	
	[SC2]	[SC3]		-	Alfa Streamer			m ²	dm ³	E	EL	HG+E			FRH	W	dB(A)		mm
	kW	kW	m ³ /h	m			W	W	W	W	l/h	kPa	mm	(5m)	inlet	outlet	Kg		
4mm Fin Spacing / High Speed Rotation																			
ILGE501A4	9.1	7.4	7966	35	70	56	6	4200	2100	1400	450	1500	5	1 x 500	P=790W I=1.45A n=1330min-1 V=400V 4 poles	64	16	28	90
ILGE501C4	12.2	9.3	7628	34	67	85	8	6300	2800	1400	450	2300	5	1 x 500		64	16	28	95
ILGE501E4	14.2	10.8	7294	32	65	113	11	8400	4200	1400	450	3000	5	1 x 500		64	16	35	100
ILGE502A4	18.2	13.6	15894	38	76	111	11	8400	4200	2800	900	3000	7	2 x 500		67	16	35	185
ILGE502C4	24.1	18.3	15197	37	74	166	17	12600	5600	2800	900	4500	7	2 x 500		67	22	42	195
ILGE502E4	28.3	21.8	14511	36	71	222	22	16800	8400	2800	900	5900	7	2 x 500		67	22	54	205
ILGE503A4	27.6	21.1	23820	40	80	165	17	12600	6300	4200	1350	4500	8	3 x 500		69	22	42	272
ILGE503C4	36.3	28.2	22764	39	78	248	25	18900	8400	4200	1350	6800	8	3 x 500		69	28	54	289
ILGE503E4	41.6	31.1	21727	38	75	331	33	25200	12600	4200	1350	8900	8	3 x 500		69	28	54	303
ILGE504A4	35.6	25.3	31747	42	83	220	22	16200	8100	5400	1800	6000	9	4 x 500		70	22	54	364
ILGE504C4	47.2	34.6	30331	40	81	330	33	24300	10800	5400	1800	9000	9	4 x 500	70	28	54	383	
ILGE504E4	55.5	41.5	28942	39	78	440	44	32400	16200	5400	1800	12000	9	4 x 500	70	28	64	403	
ILGE505A4	45.7	34.3	39673	43	85	274	27	20400	10200	6800	2250	7500	10	5 x 500	71	28	54	454	
ILGE505C4	60.2	46.0	37898	41	83	411	41	30600	13600	6800	2250	11300	10	5 x 500	71	28	64	478	
ILGE505E4	70.6	54.8	36158	40	80	549	55	40800	20400	6800	2250	15000	10	5 x 500	71	35	76	503	
ILGE561C4	17.8	12.9	11060	42	-	132	13	9600	4800	1600	500	3500	8	1 x 560	P=1000W I=1.8A n=1220min-1 V=400V 4 poles	68	16	35	120
ILGE561E4	20.8	15.5	10563	41	-	176	18	12000	5600	1600	500	4700	8	1 x 560		68	22	42	128
ILGE561G4	23.0	17.3	10095	39	-	220	22	14400	7200	1600	500	6000	8	1 x 560		68	28	42	144
ILGE562C4	35.7	26.3	22043	46	-	260	26	19200	9600	3200	1000	7100	10	2 x 560		71	28	54	282
ILGE562E4	41.8	31.4	21028	45	-	347	35	24000	11200	3200	1000	9500	10	2 x 560		71	35	54	298
ILGE562G4	45.9	35.1	20077	43	-	434	43	28800	14400	3200	1000	11500	10	2 x 560		71	35	64	330
ILGE563C4	54.3	41.2	33025	48	-	388	39	28800	14400	4800	1500	10600	12	3 x 560		73	35	64	377
ILGE563E4	64.0	49.9	31492	47	-	518	52	36000	18000	4800	1500	14000	12	3 x 560		73	35	76	403
ILGE563G4	69.4	54.1	30059	45	-	647	65	43200	21600	4800	1500	17500	12	3 x 560		73	42	76	451
ILGE564C4	72.9	56.7	44007	50	-	516	52	38400	19200	6400	2000	14200	15	4 x 560		74	42	76	523
ILGE564E4	84.9	66.7	41957	48	-	689	69	48000	22400	6400	2000	18500	15	4 x 560	74	42	76	556	
ILGE564G4	92.7	73.6	40040	47	-	861	86	57600	28800	6400	2000	23000	15	4 x 560	74	42	89	619	
ILGE565C4	89.5	66.5	54989	51	-	645	65	48000	24000	8000	2500	17700	21	5 x 560	75	42	76	598	
ILGE565E4	104.5	79.2	52421	50	-	859	86	60000	28000	8000	2500	23000	21	5 x 560	75	42	89	638	
ILGE565G4	114.8	88.3	50021	48	-	1074	108	72000	36000	8000	2500	29000	21	5 x 560	75	42	89	719	
ILGE631C4	25.5	19.6	17289	57	115	165	17	9600	5600	1600	550	4500	12	1 x 630	P=2600W I=4.8A n=1310min-1 V=400V 4 poles	75	28	42	177
ILGE631E4	29.4	21.4	16728	56	112	220	22	14400	7200	1600	550	6000	12	1 x 630		75	28	54	187
ILGE631G4	33.9	26.2	16160	54	108	275	28	16800	8800	1600	550	7500	12	1 x 630		75	35	54	207
ILGE632C4	49.5	35.7	34495	62	123	325	33	19200	11200	3200	1100	8900	15	2 x 630		78	35	64	365
ILGE632E4	59.2	43.7	33342	60	120	434	43	28800	14400	3200	1100	11500	15	2 x 630		78	35	76	385
ILGE632G4	66.3	49.8	32179	58	117	542	54	33600	17600	3200	1100	14500	15	2 x 630		78	35	76	426
ILGE633C4	75.5	56.3	51701	64	128	485	49	28800	16800	4800	1650	13300	20	3 x 630		80	35	76	547
ILGE633E4	90.0	68.3	49954	62	125	647	65	43200	21600	4800	1650	17500	20	3 x 630		80	42	76	576
ILGE633G4	101.7	79.3	48197	61	122	809	81	50400	26400	4800	1650	22000	20	3 x 630		80	42	89	638
ILGE634C4	101.6	78.0	68905	66	132	646	65	38400	22400	6400	2200	17700	25	4 x 630		81	42	89	722
ILGE634E4	121.0	94.1	66566	64	129	861	86	57600	28800	6400	2200	23000	25	4 x 630	81	42	89	762	
ILGE634G4	135.1	106.1	64214	63	125	1076	108	67200	35200	6400	2200	29000	25	4 x 630	81	2 x 42	2 x 76	844	
ILGE635C4	124.1	90.0	86110	67	135	806	81	48000	28000	8000	2750	22100	30	5 x 630	82	42	89	882	
ILGE635E4	148.4	110.4	83178	66	131	1074	108	72000	36000	8000	2750	29000	30	5 x 630	82	2 x 35	2 x 76	932	
ILGE635G4	166.0	125.5	80231	64	128	1343	135	84000	44000	8000	2750	36000	30	5 x 630	82	2 x 42	2 x 76	1033	
ILGE801C4	39.3	28.5	30394	79	-	236	24	18000	9000	3000	700	6500	15	1 x 800	P=5100W I=8.8A n=1270min-1 V=400V 4 poles	81	28	54	257
ILGE801E4	46.7	33.9	28969	75	-	315	32	21000	12000	3000	700	8500	15	1 x 800		81	35	64	271
ILGE801G4	53.2	39.9	27687	72	-	394	39	21000	12000	3000	700	10500	15	1 x 800		81	35	64	300
ILGE802C4	80.3	62.0	60599	84	-	467	47	34200	17100	5700	1400	12800	25	2 x 800		84	42	76	530
ILGE802E4	96.0	74.9	57712	81	-	623	62	39900	22800	5700	1400	16500	25	2 x 800		84	2 x 35	2 x 64	558
ILGE802G4	107.6	84.8	55122	78	-	779	78	39900	22800	5700	1400	21000	25	2 x 800		84	2 x 35	2 x 64	617
ILGE803C4	120.4	93.0	90803	87	-	698	70	52200	26100	8700	2100	19100	30	3 x 800		86	2 x 35	2 x 64	793
ILGE803E4	143.9	112.6	86453	84	-	930	93	60900	34800	8700	2100	25000	30	3 x 800		86	2 x 42	2 x 76	836
ILGE803G4	161.3	127.2	82555	81	-	1163	116	60900	34800	8700	2100	31000	30	3 x 800		86	2 x 42	2 x 76	925
ILGE804C4	156.5	112.2	121006	89	-	928	93	70200	35100	11700	2800	25500	40	4 x 800		87	2 x 35	2 x 76	1046
ILGE804E4	188.1	138.9	115194	86	-	1238	124	81900	46800	11700	2800	33500	40	4 x 800	87	2 x 42	2 x 89	1105	
ILGE804G4	211.5	158.5	109987	83	-	1547	155	81900	46800	11700	2800	41500	40	4 x 800	87	2 x 42	2 x 89	1223	

Model	Capacity*		Air Flow	Air Throw		Sur-face	Tube volume	Defrost					Fan Motors n°x ø	Fan Motors	Noise	Connections		Weight	
	[SC2]	[SC3]		-	Alfa Streamer			m²	dm³	E	EL	HG+E				FRH	W		dB(A)
	kW	kW	m³/h	m	m	m	W	W	W	W	l/h	kPa	mm	(5m)	inlet	outlet	Kg		
6mm Fin Spacing / High Speed Rotation																			
ILRE501A6	7.1	5.7	8100	35	71	38	6	4200	2100	1400	450	1500	5	1 x 500	P=790W I=1.45A n=1330min-1 V=400V 4 poles	64	16	28	88
ILRE501C6	9.9	7.8	7837	34	69	58	8	6300	2800	1400	450	2300	5	1 x 500		64	16	28	93
ILRE501E6	12.0	9.3	7567	33	67	77	11	8400	4200	1400	450	3000	5	1 x 500		64	16	35	98
ILRE502A6	14.5	11.1	16169	39	77	75	11	8400	4200	2800	900	3000	7	2 x 500		67	16	35	181
ILRE502C6	19.8	15.3	15626	38	75	113	17	12600	5600	2800	900	4500	7	2 x 500		67	22	42	191
ILRE502E6	23.9	18.7	15070	37	73	151	22	16800	8400	2800	900	5900	7	2 x 500		67	22	54	201
ILRE503A6	21.7	17.0	24239	41	81	112	17	12600	6300	4200	1350	4500	8	3 x 500		69	22	42	267
ILRE503C6	29.5	23.3	23415	40	79	169	25	18900	8400	4200	1350	6800	8	3 x 500		69	28	54	283
ILRE503E6	35.6	27.1	22572	39	77	225	33	25200	12600	4200	1350	8900	8	3 x 500		69	28	54	297
ILRE504A6	28.7	21.4	32308	42	84	149	22	16200	8100	5400	1800	6000	9	4 x 500		70	22	54	357
ILRE504C6	39.2	29.6	31203	41	82	224	33	24300	10800	5400	1800	9000	9	4 x 500	70	28	54	376	
ILRE504E6	47.5	36.2	30074	40	80	299	44	32400	16200	5400	1800	12000	9	4 x 500	70	28	64	395	
ILRE505A6	36.3	28.0	40377	43	87	186	27	20400	10200	6800	2250	7500	10	5 x 500	71	28	54	445	
ILRE505C6	49.4	38.4	38991	42	84	280	41	30600	13600	6800	2250	11300	10	5 x 500	71	28	64	468	
ILRE505E6	59.5	46.9	37576	41	82	373	55	40800	20400	6800	2250	15000	10	5 x 500	71	35	76	493	
ILRE561C6	14.9	11.1	11371	44	-	90	13	9600	4800	1600	500	3500	8	1 x 560	P=1000W I=1.8A n=1220min-1 V=400V 4 poles	68	16	35	118
ILRE561E6	18.0	13.6	10968	42	-	120	18	12000	5600	1600	500	4700	8	1 x 560		68	22	42	125
ILRE561G6	20.3	15.6	10574	41	-	150	22	14400	7200	1600	500	6000	8	1 x 560		68	28	42	141
ILRE562C6	29.8	22.5	22681	47	-	177	26	19200	9600	3200	1000	7100	10	2 x 560		71	28	54	276
ILRE562E6	35.9	27.5	21855	46	-	236	35	24000	11200	3200	1000	9500	10	2 x 560		71	35	54	292
ILRE562G6	40.5	31.3	21051	45	-	295	43	28800	14400	3200	1000	11500	10	2 x 560		71	35	64	323
ILRE563C6	44.8	34.7	33991	50	-	264	39	28800	14400	4800	1500	10600	12	3 x 560		73	35	64	370
ILRE563E6	54.2	42.8	32742	48	-	352	52	36000	16800	4800	1500	14000	12	3 x 560		73	35	76	395
ILRE563G6	60.7	47.9	31527	47	-	440	65	43200	21600	4800	1500	17500	12	3 x 560		73	42	76	442
ILRE564C6	59.6	47.0	45300	51	-	351	52	38400	19200	6400	2000	14200	15	4 x 560		74	42	76	512
ILRE564E6	71.6	57.0	43628	50	-	468	69	48000	22400	6400	2000	18500	15	4 x 560	74	42	76	544	
ILRE564G6	80.6	64.6	42003	48	-	585	86	57600	28800	6400	2000	23000	15	4 x 560	74	42	89	607	
ILRE565C6	74.4	56.7	56610	52	-	438	65	48000	24000	8000	2500	17700	21	5 x 560	75	42	76	586	
ILRE565E6	89.6	69.1	54514	51	-	584	86	60000	28000	8000	2500	23000	21	5 x 560	75	42	89	625	
ILRE565G6	101.0	78.7	52478	50	-	730	108	72000	36000	8000	2500	29000	21	5 x 560	75	42	89	705	
ILRE631C6	20.7	16.2	17615	58	117	112	17	9600	5600	1600	550	4500	12	1 x 630	P=2600W I=4.8A n=1310min-1 V400V 4 poles	75	28	42	173
ILRE631E6	25.0	18.7	17189	57	114	150	22	14400	7200	1600	550	6000	12	1 x 630		75	28	54	183
ILRE631G6	29.1	22.8	16741	56	112	187	28	16800	8800	1600	550	7500	12	1 x 630		75	35	54	203
ILRE632C6	40.8	30.5	35168	63	125	221	33	19200	11200	3200	1100	8900	15	2 x 630		78	35	64	358
ILRE632E6	50.0	37.9	34290	61	123	295	43	28800	14400	3200	1100	11500	15	2 x 630		78	35	76	377
ILRE632G6	57.6	44.0	33369	60	120	368	54	33600	17600	3200	1100	14500	15	2 x 630		78	35	76	417
ILRE633C6	61.7	47.3	52720	65	130	330	49	28800	16800	4800	1650	13300	20	3 x 630		80	35	76	536
ILRE633E6	75.6	58.4	51389	64	128	440	65	43200	21600	4800	1650	17500	20	3 x 630		80	42	76	565
ILRE633G6	87.2	68.8	49995	63	125	550	81	50400	26400	4800	1650	22000	20	3 x 630		80	42	89	625
ILRE634C6	82.3	64.4	70271	67	134	439	65	38400	22400	6400	2200	17700	25	4 x 630		81	42	89	707
ILRE634E6	100.5	79.4	68488	66	131	585	86	57600	28800	6400	2200	23000	25	4 x 630	81	42	89	747	
ILRE634G6	115.2	91.5	66621	64	129	731	108	67200	35200	6400	2200	29000	25	4 x 630	81	2 x 42	2 x 76	827	
ILRE635C6	102.1	76.8	87823	68	137	548	81	48000	28000	8000	2750	22100	30	5 x 630	82	42	89	865	
ILRE635E6	125.1	95.5	85586	67	134	730	108	72000	36000	8000	2750	29000	30	5 x 630	82	2 x 35	2 x 76	913	
ILRE635G6	143.9	110.6	83246	66	131	913	135	84000	44000	8000	2750	36000	30	5 x 630	82	2 x 42	2 x 76	1012	
ILRE801C6	32.3	24.2	31343	81	-	161	24	18000	9000	3000	700	6500	15	1 x 800	P=5100W I=8.8A n=1270min-1 V=400V 4 poles	81	28	54	252
ILRE801E6	39.5	29.6	30124	78	-	214	32	21000	12000	3000	700	8500	15	1 x 800		81	35	64	266
ILRE801G6	45.8	35.1	29000	75	-	268	39	21000	12000	3000	700	10500	15	1 x 800		81	35	64	294
ILRE802C6	64.6	50.8	62528	86	-	318	47	34200	17100	5700	1400	12800	25	2 x 800		84	42	76	519
ILRE802E6	79.2	62.7	60052	83	-	423	62	39900	22800	5700	1400	16500	25	2 x 800		84	2 x 35	2 x 64	547
ILRE802G6	90.9	72.5	57775	81	-	529	78	39900	22800	5700	1400	21000	25	2 x 800		84	2 x 35	2 x 64	605
ILRE803C6	96.9	76.3	93710	89	-	474	70	52200	26100	8700	2100	19100	30	3 x 800		86	2 x 35	2 x 64	777
ILRE803E6	118.5	94.1	89978	87	-	632	93	60900	34800	8700	2100	25000	30	3 x 800		86	2 x 42	2 x 76	819
ILRE803G6	136.3	108.8	86549	84	-	791	116	60900	34800	8700	2100	31000	30	3 x 800		86	2 x 42	2 x 76	907
ILRE804C6	128.7	96.0	124893	92	-	631	93	70200	35100	11700	2800	25500	40	4 x 800		87	2 x 35	2 x 76	1025
ILRE804E6	158.1	120.0	119904	89	-	841	124	81900	46800	11700	2800	33500	40	4 x 800	87	2 x 42	2 x 89	1083	
ILRE804G6	182.2	139.4	115322	86	-	1052	155	81900	46800	11700	2800	41500	40	4 x 800	87	2 x 42	2 x 89	1199	

Model	Capacity*		Air Flow	Air Throw		Sur-face	Tube volume	Defrost					Fan Motors n°x ø	Fan Motors	Noise	Connections		Weight	
	[SC2]	[SC3]		-	Alfa Streamer			m²	dm³	E	EL	HG+E				FRH	W		dB(A)
	kW	kW	m³/h	m			W	W	W	W	l/h	kPa	mm	(5m)	inlet	outlet	Kg		
8mm Fin Spacing / High Speed Rotation																			
ILBE501A8	6.3	5.2	8165	36	71	29	6	4200	2100	1400	450	1500	5	1 x 500	P=790W I=1.45A n=1330min-1 V=400V 4 poles	64	16	28	85
ILBE501C8	9.1	7.1	7942	35	69	44	8	6300	2800	1400	450	2300	5	1 x 500		64	16	28	90
ILBE501E8	11.1	8.7	7709	34	68	59	11	8400	4200	1400	450	3000	5	1 x 500		64	16	35	95
ILBE502A8	13.2	10.2	16305	39	78	58	11	8400	4200	2800	900	3000	7	2 x 500		67	16	35	175
ILBE502C8	18.1	14.1	15843	38	76	86	17	12600	5600	2800	900	4500	7	2 x 500		67	22	42	185
ILBE502E8	22.1	17.4	15362	37	74	115	22	16800	8400	2800	900	5900	7	2 x 500		67	22	54	193
ILBE503A8	19.6	15.5	24444	41	82	86	17	12600	6300	4200	1350	4500	8	3 x 500		69	22	42	257
ILBE503C8	26.9	21.4	23744	40	80	129	25	18900	8400	4200	1350	6800	8	3 x 500		69	28	54	273
ILBE503E8	33.1	25.4	23014	39	78	172	33	25200	12600	4200	1350	8900	8	3 x 500		69	28	54	287
ILBE504A8	26.2	19.7	32584	42	85	114	22	16200	8100	5400	1800	6000	9	4 x 500		70	22	54	344
ILBE504C8	36.1	27.5	31645	42	83	171	33	24300	10800	5400	1800	9000	9	4 x 500	70	28	54	362	
ILBE504E8	44.2	34.0	30666	41	81	228	44	32400	16200	5400	1800	12000	9	4 x 500	70	28	64	381	
ILBE505A8	32.8	25.6	40723	44	87	142	27	20400	10200	6800	2250	7500	10	5 x 500	71	28	54	429	
ILBE505C8	45.2	35.4	39545	43	85	214	41	30600	13600	6800	2250	11300	10	5 x 500	71	28	64	451	
ILBE505E8	55.0	43.6	38318	42	83	285	55	40800	20400	6800	2250	15000	10	5 x 500	71	35	76	475	
ILBE561C8	13.7	10.4	11529	44	-	69	13	9600	4800	1600	500	3500	8	1 x 560	68	16	35	113	
ILBE561E8	16.7	12.8	11179	43	-	91	18	12000	5600	1600	500	4700	8	1 x 560	68	22	42	121	
ILBE561G8	19.1	14.7	10831	42	-	114	22	14400	7200	1600	500	6000	8	1 x 560	68	28	42	136	
ILBE562C8	27.4	20.9	23005	48	-	135	26	19200	9600	3200	1000	7100	10	2 x 560	71	28	54	266	
ILBE562E8	33.4	25.7	22288	47	-	180	35	24000	11200	3200	1000	9500	10	2 x 560	71	35	54	282	
ILBE562G8	38.0	29.6	21575	45	-	225	43	28800	14400	3200	1000	11500	10	2 x 560	71	35	64	312	
ILBE563C8	41.1	32.0	34481	50	-	202	39	28800	14400	4800	1500	10600	12	3 x 560	73	35	64	357	
ILBE563E8	50.1	39.8	33396	49	-	269	52	36000	16800	4800	1500	14000	12	3 x 560	73	35	76	380	
ILBE563G8	56.9	45.1	32318	48	-	336	65	43200	21600	4800	1500	17500	12	3 x 560	73	42	76	426	
ILBE564C8	54.4	43.2	45957	52	-	268	52	38400	19200	6400	2000	14200	15	4 x 560	74	42	76	494	
ILBE564E8	66.1	52.8	44503	50	-	358	69	48000	22400	6400	2000	18500	15	4 x 560	74	42	76	525	
ILBE564G8	75.2	60.4	43061	49	-	447	86	57600	28800	6400	2000	23000	15	4 x 560	74	42	89	585	
ILBE565C8	68.4	52.6	57432	53	-	335	65	48000	24000	8000	2500	17700	21	5 x 560	75	42	76	565	
ILBE565E8	83.2	64.6	55611	52	-	446	86	60000	28000	8000	2500	23000	21	5 x 560	75	42	89	603	
ILBE565G8	94.9	74.3	53803	51	-	558	108	72000	36000	8000	2500	29000	21	5 x 560	75	42	89	680	
ILBE631C8	18.8	14.9	17771	59	118	86	17	9600	5600	1600	550	4500	12	1 x 630	75	28	42	167	
ILBE631E8	23.3	17.6	17417	58	116	114	22	14400	7200	1600	550	6000	12	1 x 630	75	28	54	177	
ILBE631G8	27.1	21.3	17037	57	113	143	28	16800	8800	1600	550	7500	12	1 x 630	75	35	54	196	
ILBE632C8	37.6	28.4	35490	63	126	169	33	19200	11200	3200	1100	8900	15	2 x 630	78	35	64	345	
ILBE632E8	46.5	35.5	34759	62	124	225	43	28800	14400	3200	1100	11500	15	2 x 630	78	35	76	364	
ILBE632G8	53.9	41.5	33975	61	122	281	54	33600	17600	3200	1100	14500	15	2 x 630	78	35	76	402	
ILBE633C8	56.6	43.8	53209	66	131	252	49	28800	16800	4800	1650	13300	20	3 x 630	80	35	76	517	
ILBE633E8	69.9	54.4	52099	65	129	336	65	43200	21600	4800	1650	17500	20	3 x 630	80	42	76	545	
ILBE633G8	81.2	64.4	50913	63	127	420	81	50400	26400	4800	1650	22000	20	3 x 630	80	42	89	603	
ILBE634C8	75.1	59.2	70928	67	135	335	65	38400	22400	6400	2200	17700	25	4 x 630	81	42	89	682	
ILBE634E8	92.6	73.5	69440	66	133	447	86	57600	28800	6400	2200	23000	25	4 x 630	81	42	89	720	
ILBE634G8	107.0	85.5	67850	65	130	559	108	67200	35200	6400	2200	29000	25	4 x 630	81	2 x 42	2 x 76	797	
ILBE635C8	93.9	71.5	88647	69	138	418	81	48000	28000	8000	2750	22100	30	5 x 630	82	42	89	834	
ILBE635E8	116.3	89.3	86780	68	136	558	108	72000	36000	8000	2750	29000	30	5 x 630	82	2 x 35	2 x 76	880	
ILBE635G8	134.7	104.1	84787	67	133	697	135	84000	44000	8000	2750	36000	30	5 x 630	82	2 x 42	2 x 76	976	
ILBE801C8	29.9	22.6	31849	82	-	123	24	18000	9000	3000	700	6500	15	1 x 800	81	28	54	243	
ILBE801E8	36.9	27.8	30752	80	-	164	32	21000	12000	3000	700	8500	15	1 x 800	81	35	64	256	
ILBE801G8	43.0	33.1	29726	77	-	205	39	21000	12000	3000	700	10500	15	1 x 800	81	35	64	284	
ILBE802C8	59.1	46.8	63556	87	-	243	47	34200	17100	5700	1400	12800	25	2 x 800	84	42	76	500	
ILBE802E8	73.1	58.2	61326	85	-	323	62	39900	22800	5700	1400	16500	25	2 x 800	84	2 x 35	2 x 64	528	
ILBE802G8	84.6	67.8	59246	82	-	404	78	39900	22800	5700	1400	21000	25	2 x 800	84	2 x 35	2 x 64	583	
ILBE803C8	88.8	70.3	95262	91	-	362	70	52200	26100	8700	2100	19100	30	3 x 800	86	2 x 35	2 x 64	749	
ILBE803E8	109.4	87.3	91898	88	-	483	93	60900	34800	8700	2100	25000	30	3 x 800	86	2 x 42	2 x 76	790	
ILBE803G8	126.9	101.7	88764	86	-	604	116	60900	34800	8700	2100	31000	30	3 x 800	86	2 x 42	2 x 76	874	
ILBE804C8	118.9	89.9	126967	93	-	482	93	70200	35100	11700	2800	25500	40	4 x 800	87	2 x 35	2 x 76	989	
ILBE804E8	147.4	112.6	122470	90	-	643	124	81900	46800	11700	2800	33500	40	4 x 800	87	2 x 42	2 x 89	1045	
ILBE804G8	171.1	131.7	118282	88	-	803	155	81900	46800	11700	2800	41500	40	4 x 800	87	2 x 42	2 x 89	1156	

Model	Capacity	Fluid Flow	Fluid Pressure Drop	Circuit	Air Flow	Air Throw		Surface	Tube volume	Defrost					Fan Motors n°x ø	Fan Motors	Noise	Connections		Weight
	kW	m³/h	kPa			-	Alfa Streamer			E	EL	FRH	W				dB(A)	mm		
	Air Tin=+2°C / R.H.=85% 30%Et. Gly. Temp= -8 / -4 °C					m³/h	m			m²	dm³	W	W	W			l/h	kPa	mm	
4mm Fin Spacing / High Speed Rotation																				
INGW501A	8.4	2.0	32	3	7647	34	67	55	10	4200	2100	450	1500	5	1 x 500	P=790W I=1.45A n=1330min-1 V=400V 4 poles	64	1"	1"	95
INGW501C	12.3	2.9	43	4	7108	32	63	82	16	6300	2100	450	2300	5	1 x 500		64	1"	1"	100
INGW501D	15.2	3.5	73	4	6844	31	61	95	18	8400	4200	450	2700	5	1 x 500		64	1"	1"	103
INGW501E	14.4	3.4	41	5	6631	30	60	109	21	8400	4200	450	3000	5	1 x 500		64	1"	1"	105
INGW502A	20.4	4.8	65	5	15183	37	74	107	20	8400	4200	450	3000	7	2 x 500		67	1"	1"	194
INGW502C	27.0	6.3	63	7	14102	35	70	161	31	12600	4200	450	4500	7	2 x 500		67	1"	1"	205
INGW502D	29.1	6.8	58	8	13604	34	68	187	36	16800	8400	450	5200	7	2 x 500		67	1 1/2"	1 1/2"	210
INGW502E	30.7	7.2	53	9	13140	33	66	214	41	16800	8400	450	5900	7	2 x 500		67	1 1/2"	1 1/2"	215
INGW503A	32.0	7.5	80	7	22727	39	78	160	30	12600	6300	450	4500	8	3 x 500		69	1 1/2"	1 1/2"	286
INGW503C	38.0	8.9	47	11	21135	37	74	240	46	18900	8400	450	6800	8	3 x 500		69	1 1/2"	1 1/2"	303
INGW503D	43.0	10.0	53	12	20364	36	72	280	53	25200	12600	450	7800	8	3 x 500		69	1 1/2"	1 1/2"	311
INGW503E	49.6	11.6	79	12	19626	35	70	319	61	25200	12600	450	8900	8	3 x 500		69	1 1/2"	1 1/2"	319
INGW504A	39.8	9.3	57	10	30314	40	81	212	40	16200	8100	450	6000	9	4 x 500		70	1 1/2"	1 1/2"	383
INGW504C	52.7	12.3	55	14	28129	38	77	319	60	24300	8100	450	9000	9	4 x 500		70	2"	2"	402
INGW504D	56.9	13.3	51	16	27124	37	75	372	71	32400	16200	450	10500	9	4 x 500		70	2"	2"	413
INGW504E	60.0	14.0	46	18	26189	37	73	425	81	32400	16200	450	12000	9	4 x 500	70	2"	2"	423	
INGW505A	47.3	11.1	46	13	37908	41	83	265	50	20400	10200	450	7500	10	5 x 500	71	2"	2"	476	
INGW505C	59.6	13.9	36	19	35212	39	79	397	75	30600	10200	450	11300	10	5 x 500	71	2"	2"	502	
INGW505D	63.0	14.7	31	22	33974	39	77	464	88	40800	20400	450	13000	10	5 x 500	71	2"	2"	515	
INGW505E	81.6	19.0	73	20	32649	38	75	530	101	40800	20400	450	15000	10	5 x 500	71	2"	2"	528	
INGW561C	18.9	4.4	45	6	10276	40	-	128	24	9600	4800	500	3500	8	1 x 560	P=1000W I=1.8A n=1220min-1 V=400V 4 poles	68	1"	1"	126
INGW561D	19.7	4.6	37	7	9923	39	-	149	28	12000	4800	500	4200	8	1 x 560		68	1"	1"	130
INGW561E	23.5	5.5	58	7	9559	38	-	170	32	12000	7200	500	4700	8	1 x 560		68	1"	1"	134
INGW561F	23.6	5.5	45	8	9253	37	-	191	36	14400	7200	500	5300	8	1 x 560		68	1"	1"	143
INGW561G	23.3	5.4	35	9	8970	36	-	213	40	14400	7200	500	6000	8	1 x 560		68	1"	1"	151
INGW562C	39.8	9.3	55	11	20421	44	-	251	48	19200	9600	500	7100	10	2 x 560		71	1 1/2"	1 1/2"	296
INGW562D	41.3	9.6	43	13	19704	42	-	293	56	24000	9600	500	8200	10	2 x 560		71	1 1/2"	1 1/2"	305
INGW562E	48.1	11.2	64	13	18982	41	-	335	64	24000	14400	500	9500	10	2 x 560		71	2"	2"	313
INGW562F	50.9	11.9	65	14	18342	40	-	377	72	28800	14400	500	10500	10	2 x 560		71	2"	2"	330
INGW562G	54.8	12.8	83	14	17738	39	-	419	80	28800	14400	500	11500	10	2 x 560		71	2"	2"	347
INGW563C	63.5	14.8	76	15	30539	46	-	375	71	28800	14400	500	10600	12	3 x 560		73	2"	2"	396
INGW563D	68.7	16.0	72	17	29432	45	-	438	83	36000	14400	500	12000	12	3 x 560		73	2"	2"	410
INGW563E	72.6	16.9	66	19	28404	43	-	500	95	36000	21600	500	14000	12	3 x 560		73	2"	2"	423
INGW563F	75.6	17.7	61	21	27451	42	-	563	107	43200	21600	500	15500	12	3 x 560		73	2 1/2"	2 1/2"	448
INGW563G	77.4	18.1	55	23	26572	41	-	625	119	43200	21600	500	17500	12	3 x 560		73	2 1/2"	2 1/2"	474
INGW564C	84.2	19.7	73	20	40686	47	-	499	95	38400	19200	500	14200	15	4 x 560	74	2 1/2"	2 1/2"	549	
INGW564D	92.8	21.7	78	22	39191	46	-	582	111	48000	19200	500	16000	15	4 x 560	74	2 1/2"	2 1/2"	567	
INGW564E	99.6	23.3	79	24	37805	45	-	665	126	48000	28800	500	18500	15	4 x 560	74	2 1/2"	2 1/2"	583	
INGW564F	104.5	24.4	78	26	36526	44	-	748	142	57600	28800	500	21000	15	4 x 560	74	2 1/2"	2 1/2"	617	
INGW564G	106.2	24.8	66	29	35360	43	-	832	158	57600	28800	500	23000	15	4 x 560	74	2 1/2"	2 1/2"	650	
INGW565C	104.8	24.5	72	25	50833	49	-	623	118	48000	24000	500	17700	21	5 x 560	75	2 1/2"	2 1/2"	628	
INGW565D	108.5	25.3	53	30	49025	47	-	727	138	60000	24000	500	20000	21	5 x 560	75	2 1/2"	2 1/2"	649	
INGW565E	116.4	27.2	53	33	47291	46	-	830	158	60000	36000	500	23000	21	5 x 560	75	3"	3"	670	
INGW565F	127.0	29.7	64	34	45651	45	-	934	177	72000	36000	500	25500	21	5 x 560	75	3"	3"	712	
INGW565G	136.7	31.9	82	34	44137	44	-	1038	197	72000	36000	500	29000	21	5 x 560	75	3"	3"	755	

Model	Capacity	Fluid Flow	Fluid Pressure Drop	Circuit	Air Flow	Air Throw		Sur-face	Tube volume	Defrost					Fan Motors n°x ø	Fan Motors	Noise	Connections		Weight	
	kW	m³/h	kPa			-	Alfa Streamer			E	EL	FRH	W				dB(A)	mm			
	Air Tin=+2°C / R.H.=85% 30%Et. Gly. Temp= -8 / -4 °C					m³/h	m			m²	dm³	W	W	W			l/h	kPa	mm		(5m)
4mm Fin Spacing / High Speed Rotation																					
INGW631C	26.0	6.1	44	8	16417	55	110	159	30	12000	4800	550	4500	12	1 x 630	P=2600W I=4.8A n=1310min-1 V400V 4 poles	75	1"1/2	1"1/2	186	
INGW631D	29.1	6.8	46	9	15961	54	107	186	35	14400	7200	550	5200	12	1 x 630		75	1"1/2	1"1/2	191	
INGW631E	31.4	7.3	45	10	15520	52	105	213	40	14400	7200	550	6000	12	1 x 630		75	1"1/2	1"1/2	196	
INGW631F	36.4	8.5	65	10	15067	51	102	239	45	16800	9600	550	6500	12	1 x 630		75	1"1/2	1"1/2	207	
INGW631G	37.7	8.8	59	11	14666	50	100	266	50	16800	9600	550	7500	12	1 x 630		75	1"1/2	1"1/2	217	
INGW632C	57.5	13.4	67	14	32647	59	118	314	60	24000	9600	550	8900	15	2 x 630		78	2"	2"	383	
INGW632D	62.8	14.7	63	16	31724	58	115	367	70	28800	14400	550	10000	15	2 x 630		78	2"	2"	394	
INGW632E	63.8	14.9	46	19	30860	56	113	419	80	28800	14400	550	11500	15	2 x 630		78	2"	2"	404	
INGW632F	76.0	17.8	83	18	29927	55	110	471	90	33600	19200	550	13000	15	2 x 630		78	2"1/2	2"1/2	425	
INGW632G	78.2	18.3	72	20	29116	54	108	524	99	33600	19200	550	14500	15	2 x 630		78	2"1/2	2"1/2	447	
INGW633C	81.3	19.0	51	22	48950	61	123	469	89	36000	14400	550	13300	20	3 x 630		80	2"1/2	2"1/2	574	
INGW633D	85.7	20.0	41	26	47593	60	120	547	104	43200	21600	550	15500	20	3 x 630		80	2"1/2	2"1/2	590	
INGW633E	108.0	25.2	88	24	46094	59	117	625	119	43200	21600	550	17500	20	3 x 630		80	2"1/2	2"1/2	605	
INGW633F	112.5	26.2	77	27	44808	57	115	703	134	50400	28800	550	20000	20	3 x 630		80	2"1/2	2"1/2	637	
INGW633G	118.4	27.7	77	29	43566	56	113	782	148	50400	28800	550	22000	20	3 x 630		80	2"1/2	2"1/2	670	
INGW634C	100.3	23.5	37	31	65311	63	127	624	118	48000	19200	550	17700	25	4 x 630		81	2"1/2	2"1/2	758	
INGW634D	106.7	24.9	32	36	63492	62	124	728	138	57600	28800	550	20000	25	4 x 630		81	3"	3"	779	
INGW634E	140.5	32.8	75	33	61429	61	121	832	158	57600	28800	550	23000	25	4 x 630		81	3"	3"	800	
INGW634F	152.0	35.5	83	35	59666	59	118	936	178	67200	38400	550	26000	25	4 x 630		81	3"	3"	843	
INGW634G	158.7	37.1	79	38	58017	58	116	1040	197	67200	38400	550	29000	25	4 x 630		81	3"	3"	886	
INGW635C	146.7	34.3	75	33	81381	65	129	778	148	60000	24000	550	22100	30	5 x 630		82	3"	3"	926	
INGW635D	163.0	38.1	77	37	79020	63	126	908	172	72000	36000	550	25000	30	5 x 630		82	3"	3"	952	
INGW635E	172.9	40.4	69	42	76766	62	124	1038	197	72000	36000	550	29000	30	5 x 630		82	3"	3"	978	
INGW635F	171.2	40.0	47	50	74694	61	121	1168	222	84000	48000	550	33000	30	5 x 630		82	3"	3"	1031	
INGW635G	185.8	43.4	54	52	72570	59	119	1297	246	84000	48000	550	36000	30	5 x 630		82	3"	3"	1085	
INGW801C	43.8	10.2	64	11	28254	74	-	228	43	18000	9000	700	6500	15	1 x 800		P=5100W I=8.8A n=1270min-1 V=400V 4 poles	81	2"	2"	269
INGW801D	50.1	11.7	74	12	27249	71	-	267	51	21000	12000	700	7500	15	1 x 800			81	2"	2"	277
INGW801E	55.3	12.9	81	13	26330	69	-	305	58	21000	12000	700	8500	15	1 x 800			81	2"	2"	285
INGW801F	56.4	13.2	63	15	25520	67	-	343	65	21000	12000	700	9500	15	1 x 800			81	2"	2"	300
INGW801G	60.1	14.0	66	16	24739	66	-	381	72	21000	12000	700	10500	15	1 x 800			81	2"	2"	315
INGW802C	74.7	17.4	34	24	56478	79	-	451	86	34200	17100	700	12800	25	2 x 800			84	2"1/2	2"1/2	556
INGW802D	78.4	18.3	28	28	54569	77	-	527	100	39900	22800	700	14500	25	2 x 800			84	2"1/2	2"1/2	571
INGW802E	107.2	25.0	68	26	52416	75	-	602	114	39900	22800	700	16500	25	2 x 800			84	2"1/2	2"1/2	586
INGW802F	118.4	27.6	83	27	50686	73	-	677	129	39900	22800	700	19000	25	2 x 800			84	2"1/2	2"1/2	616
INGW802G	122.2	28.5	72	30	49156	71	-	752	143	39900	22800	700	21000	25	2 x 800			84	2"1/2	2"1/2	648
INGW803C	136.6	31.9	76	30	84189	82	-	674	128	52200	26100	700	19100	30	3 x 800			86	3"	3"	832
INGW803D	150.7	35.2	75	34	81204	80	-	787	149	60900	34800	700	22000	30	3 x 800			86	3"	3"	855
INGW803E	162.5	38.0	72	38	78460	78	-	899	171	60900	34800	700	25000	30	3 x 800			86	3"	3"	878
INGW803F	177.2	41.4	82	40	75884	76	-	1011	192	60900	34800	700	28000	30	3 x 800			86	3"	3"	924
INGW803G	178.7	41.7	63	46	73626	74	-	1124	213	60900	34800	700	31000	30	3 x 800			86	3"	3"	971
INGW804C	184.5	43.1	82	39	112136	84	-	897	170	70200	35100	700	25500	40	4 x 800	87		3"	3"	1099	
INGW804D	197.5	46.1	68	46	108224	82	-	1047	199	81900	46800	700	29500	40	4 x 800	87		3"	3"	1129	
INGW804E	217.5	50.9	74	50	104508	80	-	1196	227	81900	46800	700	33500	40	4 x 800	87		3"	3"	1161	
INGW804F	227.5	53.2	65	56	101172	78	-	1346	256	81900	46800	700	37000	40	4 x 800	87		3"	3"	1222	
INGW804G	246.0	57.4	76	58	97989	76	-	1495	284	81900	46800	700	41500	40	4 x 800	87		3"	3"	1285	

Model	Capacity	Fluid Flow	Fluid Pressure Drop	Circuit	Air Flow	Air Throw		Surface	Tube volume	Defrost					Fan Motors n°x ø	Fan Motors	Noise	Connections		Weight
	kW	m³/h	kPa			-	Alfa Streamer			E	EL	FRH	W				dB(A)	mm		
	Air Tin=+2°C / R.H.=85% 30%Et. Gly. Temp=-8 / -4 °C					m³/h	m			m²	dm³	W	W	W			l/h	kPa	mm	
6mm Fin Spacing / High Speed Rotation																				
INRW501A	4.8	1.1	12.1	3	7901	35	69	37	10	4200	2100	450	1500	5	1 x 500	P=790W I=1.45A n=1330min-1 V=400V 4 poles	64	1"	1"	93
INRW501C	7.1	1.7	16.2	4	7479	33	66	56	16	6300	2100	450	2300	5	1 x 500		64	1"	1"	98
INRW501D	12.2	2.8	49.4	4	7202	32	64	65	18	8400	4200	450	2700	5	1 x 500		64	1"	1"	101
INRW501E	14.4	3.4	76.2	4	6989	31	62	75	21	8400	4200	450	3000	5	1 x 500		64	1"	1"	103
INRW502A	15.2	3.5	38.5	5	15641	38	75	73	20	8400	4200	450	3000	7	2 x 500		67	1"	1"	190
INRW502C	21.1	4.9	40.9	7	14760	36	72	110	31	12600	4200	450	4500	7	2 x 500		67	1"	1"	201
INRW502D	23.3	5.4	39.2	8	14335	35	71	128	36	16800	8400	450	5200	7	2 x 500		67	1 1/2"	1 1/2"	206
INRW502E	25.0	5.8	36.7	9	13928	35	69	147	41	16800	8400	450	5900	7	2 x 500		67	1 1/2"	1 1/2"	211
INRW503A	24.2	5.7	49.1	7	23417	40	79	109	30	12600	6300	450	4500	8	3 x 500		69	1 1/2"	1 1/2"	280
INRW503C	35.7	8.3	73.1	9	22058	38	76	164	46	18900	8400	450	6800	8	3 x 500		69	1 1/2"	1 1/2"	297
INRW503D	40.0	9.3	77.9	10	21406	37	74	191	53	25200	12600	450	7800	8	3 x 500		69	1 1/2"	1 1/2"	305
INRW503E	41.3	9.7	57.1	12	20804	37	73	219	61	25200	12600	450	8900	8	3 x 500		69	1 1/2"	1 1/2"	312
INRW504A	33.1	7.7	55.0	9	31195	41	82	145	40	16200	8100	450	6000	9	4 x 500		70	1 1/2"	1 1/2"	375
INRW504C	44.4	10.4	50.4	13	29419	39	79	218	60	24300	8100	450	9000	9	4 x 500		70	2"	2"	394
INRW504D	53.8	12.5	82.2	13	28508	39	77	254	71	32400	16200	450	10500	9	4 x 500		70	2"	2"	404
INRW504E	57.0	13.3	70.3	15	27689	38	76	291	81	32400	16200	450	12000	9	4 x 500		70	2"	2"	415
INRW505A	33.3	7.8	24.8	13	39097	42	85	181	50	20400	10200	450	7500	10	5 x 500		71	2"	2"	467
INRW505C	58.6	13.7	67.8	15	36720	41	81	272	75	30600	10200	450	11300	10	5 x 500		71	2"	2"	492
INRW505D	65.2	15.2	67.7	17	35633	40	80	317	88	40800	20400	450	13000	10	5 x 500	71	2"	2"	504	
INRW505E	70.5	16.5	65.2	19	34596	39	78	363	101	40800	20400	450	15000	10	5 x 500	71	2"	2"	518	
INRW561C	17.7	4.1	66.2	5	10720	41	-	87	24	9600	4800	500	3500	8	1 x 560	P=1000W I=1.8A n=1220min-1 V=400V 4 poles	68	1"	1"	123
INRW561D	11.8	2.8	15.0	7	10527	41	-	102	28	12000	4800	500	4200	8	1 x 560		68	1"	1"	128
INRW561E	19.3	4.5	40.6	7	10130	39	-	116	32	12000	7200	500	4700	8	1 x 560		68	1"	1"	132
INRW561F	19.4	4.5	32.0	8	9858	39	-	131	36	14400	7200	500	5300	8	1 x 560		68	1"	1"	140
INRW561G	24.7	5.8	78.7	7	9552	38	-	146	40	14400	7200	500	6000	8	1 x 560		68	1"	1"	148
INRW562C	34.2	8.0	54.8	10	21359	45	-	172	48	19200	9600	500	7100	10	2 x 560		71	1 1/2"	1 1/2"	290
INRW562D	38.8	9.1	61.4	11	20717	44	-	201	56	24000	9600	500	8200	10	2 x 560		71	1 1/2"	1 1/2"	298
INRW562E	40.0	9.3	46.5	13	20131	43	-	229	64	24000	14400	500	9500	10	2 x 560		71	2"	2"	307
INRW562F	43.3	10.1	49.2	14	19550	42	-	258	72	28800	14400	500	10500	10	2 x 560		71	2"	2"	323
INRW562G	48.1	11.3	65.9	14	18985	41	-	287	80	28800	14400	500	11500	10	2 x 560		71	2"	2"	340
INRW563C	53.5	12.5	67.9	14	31969	47	-	257	71	28800	14400	500	10600	12	3 x 560		73	2"	2"	388
INRW563D	58.8	13.7	64.7	16	31017	46	-	300	83	36000	14400	500	12000	12	3 x 560		73	2"	2"	401
INRW563E	63.1	14.7	60.4	18	30109	45	-	342	95	36000	21600	500	14000	12	3 x 560		73	2"	2"	414
INRW563F	70.8	16.5	83.4	18	29213	44	-	385	107	43200	21600	500	15500	12	3 x 560		73	2 1/2"	2 1/2"	439
INRW563G	73.4	17.1	73.8	20	28404	43	-	428	119	43200	21600	500	17500	12	3 x 560		73	2 1/2"	2 1/2"	464
INRW564C	72.5	16.9	75.3	18	42581	49	-	342	95	38400	19200	500	14200	15	4 x 560		74	2 1/2"	2 1/2"	538
INRW564D	78.7	18.4	66.3	21	41317	48	-	398	111	48000	19200	500	16000	15	4 x 560		74	2 1/2"	2 1/2"	556
INRW564E	85.9	20.0	68.6	23	40090	47	-	455	126	48000	28800	500	18500	15	4 x 560		74	2 1/2"	2 1/2"	572
INRW564F	89.6	20.9	59.4	26	38948	46	-	512	142	57600	28800	500	21000	15	4 x 560	74	2 1/2"	2 1/2"	605	
INRW564G	92.4	21.6	51.5	29	37872	45	-	569	158	57600	28800	500	23000	15	4 x 560	74	2 1/2"	2 1/2"	637	
INRW565C	83.6	19.5	48.0	25	53276	50	-	426	118	48000	24000	500	17700	21	5 x 560	75	2 1/2"	2 1/2"	616	
INRW565D	90.7	21.2	43.0	29	51698	49	-	497	138	60000	24000	500	20000	21	5 x 560	75	2 1/2"	2 1/2"	636	
INRW565E	95.8	22.4	37.8	33	50193	48	-	568	158	60000	36000	500	23000	21	5 x 560	75	3"	3"	657	
INRW565F	117.0	27.3	78.9	30	48612	47	-	639	177	72000	36000	500	25500	21	5 x 560	75	3"	3"	698	
INRW565G	121.9	28.5	72.4	33	47255	46	-	710	197	72000	36000	500	29000	21	5 x 560	75	3"	3"	740	

Model	Capacity	Fluid Flow	Fluid Pressure Drop	Circuit	Air Flow	Air Throw		Surface	Tube volume	Defrost					Fan Motors n°x ø	Fan Motors	Noise	Connections		Weight	
	kW	m³/h	kPa			-	Alfa Streamer			E	EL	FRH	W	dB(A)			mm				
	Air Tin=+2°C / R.H.=85% 30%Et. Gly. Temp= -8 / -4 °C					m³/h	m			m²	dm³	W	W	W			l/h	kPa	mm		(5m)
6mm Fin Spacing / High Speed Rotation																					
INRW631C	18.0	4.2	23.4	8	17004	57	113	109	30	12000	4800	550	4500	12	1 x 630	P=2600W I=4.8A n=1310min-1 V400V 4 poles	75	1"1/2	1"1/2	182	
INRW631D	25.8	6.0	51.3	8	16583	55	111	127	35	14400	7200	550	5200	12	1 x 630		75	1"1/2	1"1/2	187	
INRW631E	28.0	6.5	49.0	9	16222	54	109	146	40	14400	7200	550	6000	12	1 x 630		75	1"1/2	1"1/2	192	
INRW631F	29.9	7.0	46.0	10	15865	53	107	164	45	16800	9600	550	6500	12	1 x 630		75	1"1/2	1"1/2	203	
INRW631G	31.3	7.3	42.8	11	15518	52	104	182	50	16800	9600	550	7500	12	1 x 630		75	1"1/2	1"1/2	213	
INRW632C	44.5	10.4	42.9	14	33800	61	121	215	60	24000	9600	550	8900	15	2 x 630		78	2"	2"	376	
INRW632D	55.7	13.0	74.5	14	33004	59	119	251	70	28800	14400	550	10000	15	2 x 630		78	2"	2"	386	
INRW632E	59.9	14.0	66.9	16	32267	58	117	287	80	28800	14400	550	11500	15	2 x 630		78	2"	2"	396	
INRW632F	63.4	14.8	60.0	18	31542	57	115	323	90	33600	19200	550	13000	15	2 x 630		78	2"1/2	2"1/2	417	
INRW632G	66.2	15.5	53.8	20	30837	56	113	358	99	33600	19200	550	14500	15	2 x 630		78	2"1/2	2"1/2	438	
INRW633C	75.0	17.5	76.7	18	50565	63	126	321	89	36000	14400	550	13300	20	3 x 630		80	2"1/2	2"1/2	563	
INRW633D	82.4	19.2	69.0	21	49451	62	124	374	104	43200	21600	550	15500	20	3 x 630		80	2"1/2	2"1/2	578	
INRW633E	91.3	21.3	73.6	23	48315	61	122	428	119	43200	21600	550	17500	20	3 x 630		80	2"1/2	2"1/2	593	
INRW633F	96.4	22.5	65.0	26	47222	60	120	481	134	50400	28800	550	20000	20	3 x 630		80	2"1/2	2"1/2	625	
INRW633G	102.8	24.0	65.8	28	46139	59	118	535	148	50400	28800	550	22000	20	3 x 630		80	2"1/2	2"1/2	657	
INRW634C	99.5	23.2	74.0	24	67389	65	130	427	118	48000	19200	550	17700	25	4 x 630		81	2"1/2	2"1/2	743	
INRW634D	112.1	26.2	77.2	27	65872	64	128	498	138	57600	28800	550	20000	25	4 x 630		81	3"	3"	764	
INRW634E	122.7	28.6	77.3	30	64363	63	125	569	158	57600	28800	550	23000	25	4 x 630		81	3"	3"	784	
INRW634F	131.7	30.7	75.6	33	62881	62	123	640	178	67200	38400	550	26000	25	4 x 630		81	3"	3"	826	
INRW634G	139.3	32.5	72.9	36	61442	61	121	711	197	67200	38400	550	29000	25	4 x 630		81	3"	3"	868	
INRW635C	118.2	27.6	55.9	32	84266	66	133	533	148	60000	24000	550	22100	30	5 x 630		82	3"	3"	908	
INRW635D	133.3	31.1	58.1	36	82369	65	130	622	172	72000	36000	550	25000	30	5 x 630		82	3"	3"	933	
INRW635E	140.7	32.9	47.8	42	80533	64	128	710	197	72000	36000	550	29000	30	5 x 630		82	3"	3"	959	
INRW635F	138.6	32.4	32.3	50	78812	63	126	799	222	84000	48000	550	33000	30	5 x 630		82	3"	3"	1010	
INRW635G	155.7	36.4	39.6	52	76924	62	124	888	246	84000	48000	550	36000	30	5 x 630		82	3"	3"	1063	
INRW801C	37.2	8.7	62.3	10	29520	77	-	156	43	18000	9000	700	6500	15	1 x 800		P=5100W I=8.8A n=1270min-1 V=400V 4 poles	81	2"	2"	264
INRW801D	39.7	9.3	49.3	12	28684	75	-	182	51	21000	12000	700	7500	15	1 x 800			81	2"	2"	272
INRW801E	47.8	11.2	78.3	12	27813	73	-	208	58	21000	12000	700	8500	15	1 x 800			81	2"	2"	279
INRW801F	51.9	12.1	81.6	13	27045	71	-	235	65	21000	12000	700	9500	15	1 x 800			81	2"	2"	294
INRW801G	53.0	12.4	63.5	15	26353	69	-	261	72	21000	12000	700	10500	15	1 x 800			81	2"	2"	309
INRW802C	78.3	18.3	81.4	18	58763	82	-	309	86	34200	17100	700	12800	25	2 x 800			84	2"1/2	2"1/2	545
INRW802D	86.1	20.1	73.3	21	57030	80	-	360	100	39900	22800	700	14500	25	2 x 800			84	2"1/2	2"1/2	560
INRW802E	92.7	21.6	66.0	24	55405	78	-	412	114	39900	22800	700	16500	25	2 x 800			84	2"1/2	2"1/2	574
INRW802F	98.2	22.9	59.4	27	53885	76	-	463	129	39900	22800	700	19000	25	2 x 800	84		2"1/2	2"1/2	604	
INRW802G	108.1	25.2	70.7	28	52401	75	-	515	143	39900	22800	700	21000	25	2 x 800	84		2"1/2	2"1/2	635	
INRW803C	113.3	26.5	66.4	28	88096	85	-	461	128	52200	26100	700	19100	30	3 x 800	86		3"	3"	816	
INRW803D	126.4	29.5	64.9	32	85462	83	-	538	149	60900	34800	700	22000	30	3 x 800	86		3"	3"	838	
INRW803E	137.6	32.1	62.2	36	82997	81	-	615	171	60900	34800	700	25000	30	3 x 800	86		3"	3"	860	
INRW803F	150.2	35.1	65.6	39	80655	79	-	692	192	60900	34800	700	28000	30	3 x 800	86		3"	3"	906	
INRW803G	158.1	36.9	60.9	43	78503	78	-	769	213	60900	34800	700	31000	30	3 x 800	86		3"	3"	952	
INRW804C	148.2	34.7	59.9	38	117434	87	-	614	170	70200	35100	700	25500	40	4 x 800	87		3"	3"	1077	
INRW804D	166.6	38.9	60.9	43	113896	85	-	716	199	81900	46800	700	29500	40	4 x 800	87		3"	3"	1106	
INRW804E	176.6	41.3	50.9	50	110671	84	-	819	227	81900	46800	700	33500	40	4 x 800	87		3"	3"	1137	
INRW804F	204.2	47.7	74.0	50	107400	82	-	921	256	81900	46800	700	37000	40	4 x 800	87		3"	3"	1198	
INRW804G	222.4	51.9	85.6	52	104447	80	-	1023	284	81900	46800	700	41500	40	4 x 800	87		3"	3"	1259	

Model	Capacity	Fluid Flow	Fluid Pressure Drop	Circuit	Air Flow	Air Throw		Surface	Tube volume	Defrost					Fan Motors n"x ø	Fan Motors	Noise	Connections		Weight			
	kW	m³/h	kPa		m³/h	-	Alfa Streamer			m²	dm³	E	EL	FRH			W	mm	dB(A)		mm		Kg
	Air Tin=+2°C / R.H.=85% 30%Et. Gly. Temp= -8 / -4 °C											W	W	W			l/h	kPa			(5m)	inlet	
8mm Fin Spacing / High Speed Rotation																							
INBW501A	4.7	1.10	11.6	3	7992	35	70	29	10	4200	2100	450	1500	5	1 x 500	P=790W I=1.45A n=1330min-1 V=400V 4 poles	64	1"	1"	89			
INBW501C	6.9	1.61	15.6	4	7613	34	67	43	16	6300	2100	450	2300	5	1 x 500		64	1"	1"	94			
INBW501D	11.6	2.71	45.4	4	7373	33	65	50	18	8400	4200	450	2700	5	1 x 500		64	1"	1"	97			
INBW501E	13.9	3.25	71.3	4	7179	32	64	57	21	8400	4200	450	3000	5	1 x 500		64	1"	1"	99			
INBW502A	14.1	3.29	33.7	5	15835	38	76	56	20	8400	4200	450	3000	7	2 x 500		67	1"	1"	183			
INBW502C	19.9	4.65	36.8	7	15063	37	73	84	31	12600	4200	450	4500	7	2 x 500		67	1"	1"	194			
INBW502D	22.1	5.15	35.6	8	14683	36	72	99	36	16800	8400	450	5200	7	2 x 500		67	1 1/2"	1 1/2"	198			
INBW502E	23.8	5.56	33.6	9	14313	35	71	113	41	16800	8400	450	5900	7	2 x 500		67	1 1/2"	1 1/2"	203			
INBW503A	22.6	5.28	43.5	7	23712	40	80	84	30	12600	6300	450	4500	8	3 x 500		69	1 1/2"	1 1/2"	270			
INBW503C	33.9	7.92	66.7	9	22519	39	77	126	46	18900	8400	450	6800	8	3 x 500		69	1 1/2"	1 1/2"	287			
INBW503D	38.4	8.96	72.4	10	21934	38	76	147	53	25200	12600	450	7800	8	3 x 500		69	1 1/2"	1 1/2"	294			
INBW503E	42.0	9.82	74.7	11	21367	37	74	168	61	25200	12600	450	8900	8	3 x 500		69	1 1/2"	1 1/2"	301			
INBW504A	31.1	7.26	49.3	9	31591	41	83	112	40	16200	8100	450	6000	9	4 x 500		70	1 1/2"	1 1/2"	362			
INBW504C	42.1	9.82	45.7	13	30034	40	80	167	60	24300	8100	450	9000	9	4 x 500		70	2"	2"	380			
INBW504D	51.6	12.05	76.5	13	29215	39	79	195	71	32400	16200	450	10500	9	4 x 500		70	2"	2"	390			
INBW504E	55.0	12.84	65.9	15	28469	39	77	223	81	32400	16200	450	12000	9	4 x 500		70	2"	2"	400			
INBW505A	42.4	9.89	78.1	10	39443	43	85	139	50	20400	10200	450	7500	10	5 x 500		71	2"	2"	450			
INBW505C	58.5	13.66	81.9	14	37469	41	82	209	75	30600	10200	450	11300	10	5 x 500		71	2"	2"	474			
INBW505D	62.5	14.61	62.9	17	36517	40	81	244	88	40800	20400	450	13000	10	5 x 500		71	2"	2"	486			
INBW505E	70.1	16.36	75.0	18	35553	40	79	279	101	40800	20400	450	15000	10	5 x 500		71	2"	2"	499			
INBW561C	16.8	3.93	60.6	5	10942	42	-	67	24	9600	4800	500	3500	8	1 x 560	P=1000W I=1.8A n=1220min-1 V=400V 4 poles	68	1"	1"	119			
INBW561D	11.6	2.70	14.4	7	10761	42	-	78	28	12000	4800	500	4200	8	1 x 560		68	1"	1"	123			
INBW561E	18.4	4.31	37.5	7	10410	40	-	89	32	12000	7200	500	4700	8	1 x 560		68	1"	1"	127			
INBW561F	18.4	4.31	29.2	8	10162	40	-	101	36	14400	7200	500	5300	8	1 x 560		68	1"	1"	135			
INBW561G	24.1	5.63	75.3	7	9874	39	-	112	40	14400	7200	500	6000	8	1 x 560		68	1"	1"	143			
INBW562C	32.5	7.61	50.1	10	21810	46	-	132	48	19200	9600	500	7100	10	2 x 560		71	1 1/2"	1 1/2"	279			
INBW562D	37.1	8.65	56.4	11	21235	45	-	154	56	24000	9600	500	8200	10	2 x 560		71	1 1/2"	1 1/2"	288			
INBW562E	38.4	8.97	43.3	13	20701	44	-	176	64	24000	14400	500	9500	10	2 x 560		71	2"	2"	296			
INBW562F	41.8	9.75	46.0	14	20165	43	-	198	72	28800	14400	500	10500	10	2 x 560		71	2"	2"	312			
INBW562G	46.8	10.91	62.4	14	19638	42	-	220	80	28800	14400	500	11500	10	2 x 560		71	2"	2"	327			
INBW563C	50.8	11.86	61.8	14	32654	48	-	197	71	28800	14400	500	10600	12	3 x 560		73	2"	2"	374			
INBW563D	56.3	13.17	60.0	16	31797	47	-	230	83	36000	14400	500	12000	12	3 x 560		73	2"	2"	387			
INBW563E	60.8	14.20	56.6	18	30969	46	-	263	95	36000	21600	500	14000	12	3 x 560		73	2"	2"	399			
INBW563F	68.7	16.06	79.2	18	30141	45	-	296	107	43200	21600	500	15500	12	3 x 560		73	2 1/2"	2 1/2"	424			
INBW563G	73.3	17.12	84.8	19	29372	44	-	329	119	43200	21600	500	17500	12	3 x 560		73	2 1/2"	2 1/2"	448			
INBW564C	69.1	16.16	69.3	18	43498	50	-	262	95	38400	19200	500	14200	15	4 x 560		74	2 1/2"	2 1/2"	518			
INBW564D	75.4	17.63	61.6	21	42361	49	-	306	111	48000	19200	500	16000	15	4 x 560		74	2 1/2"	2 1/2"	536			
INBW564E	80.5	18.83	54.6	24	41261	48	-	350	126	48000	28800	500	18500	15	4 x 560		74	2 1/2"	2 1/2"	551			
INBW564F	86.8	20.29	56.2	26	40186	47	-	393	142	57600	28800	500	21000	15	4 x 560		74	2 1/2"	2 1/2"	583			
INBW564G	97.9	22.85	86.0	25	39121	46	-	437	158	57600	28800	500	23000	15	4 x 560		74	2 1/2"	2 1/2"	615			
INBW565C	79.1	18.47	43.5	25	54420	51	-	327	118	48000	24000	500	17700	21	5 x 560	75	2 1/2"	2 1/2"	594				
INBW565D	86.2	20.13	39.2	29	53003	50	-	382	138	60000	24000	500	20000	21	5 x 560	75	2 1/2"	2 1/2"	613				
INBW565E	91.8	21.44	35.1	33	51632	49	-	437	158	60000	36000	500	23000	21	5 x 560	75	3"	3"	633				
INBW565F	113.3	26.43	74.3	30	50166	48	-	491	177	72000	36000	500	25500	21	5 x 560	75	3"	3"	673				
INBW565G	120.7	28.19	77.5	32	48882	47	-	546	197	72000	36000	500	29000	21	5 x 560	75	3"	3"	714				

Model	Capacity	Fluid Flow	Fluid Pressure Drop	Circuit	Air Flow	Air Throw		Surface	Tube volume	Defrost					Fan Motors n"x ø	Fan Motors	Noise	Connections		Weight	
	kW	m³/h	kPa		m³/h	-	Alfa Streamer			m²	dm³	E	EL	FRH			W	dB(A)	mm		
	Air Tin=+2°C / R.H.=85% 30%Et. Gly. Temp=-8 / -4 °C				m³/h	m	m²			dm³	W	W	W	l/h			kPa	mm	(5m)		inlet
8mm Fin Spacing / High Speed Rotation																					
INBW631C	13.3	3.10	13.6	8	17351	58	115	84	30	12000	4800	550	4500	12	1 x 630	P=2600W I=4.8A n=1310min-1 V400V 4 poles	75	1 1/2	1 1/2	176	
INBW631D	24.6	5.74	47.0	8	16875	56	112	98	35	14400	7200	550	5200	12	1 x 630		75	1 1/2	1 1/2	181	
INBW631E	26.8	6.26	45.2	9	16560	55	111	112	40	14400	7200	550	6000	12	1 x 630		75	1 1/2	1 1/2	186	
INBW631F	28.7	6.70	42.9	10	16245	54	109	126	45	16800	9600	550	6500	12	1 x 630		75	1 1/2	1 1/2	195	
INBW631G	30.2	7.05	40.1	11	15933	53	107	140	50	16800	9600	550	7500	12	1 x 630		75	1 1/2	1 1/2	205	
INBW632C	48.2	11.24	75.4	12	34246	61	123	165	60	24000	9600	550	8900	15	2 x 630		78	2"	2"	362	
INBW632D	53.1	12.40	68.3	14	33609	60	121	193	70	28800	14400	550	10000	15	2 x 630		78	2"	2"	372	
INBW632E	57.4	13.39	61.8	16	32963	59	119	220	80	28800	14400	550	11500	15	2 x 630		78	2"	2"	382	
INBW632F	60.9	14.22	55.8	18	32319	58	117	248	90	33600	19200	550	13000	15	2 x 630		78	2 1/2"	2 1/2"	402	
INBW632G	63.9	14.91	50.4	20	31684	58	115	275	99	33600	19200	550	14500	15	2 x 630		78	2 1/2"	2 1/2"	422	
INBW633C	71.5	16.68	70.4	18	51328	64	128	247	89	36000	14400	550	13300	20	3 x 630		80	2 1/2"	2 1/2"	542	
INBW633D	81.5	19.05	77.7	20	50343	63	126	288	104	43200	21600	550	15500	20	3 x 630		80	2 1/2"	2 1/2"	558	
INBW633E	85.1	19.86	57.7	24	49388	62	124	329	119	43200	21600	550	17500	20	3 x 630		80	2 1/2"	2 1/2"	572	
INBW633F	93.1	21.75	61.1	26	48393	61	122	370	134	50400	28800	550	20000	20	3 x 630		80	2 1/2"	2 1/2"	602	
INBW633G	99.7	23.29	62.4	28	47416	60	120	411	148	50400	28800	550	22000	20	3 x 630		80	2 1/2"	2 1/2"	633	
INBW634C	97.6	22.81	80.8	23	68389	66	131	328	118	48000	19200	550	17700	25	4 x 630		81	2 1/2"	2 1/2"	716	
INBW634D	107.3	25.09	71.6	27	67097	65	129	383	138	57600	28800	550	20000	25	4 x 630		81	3"	3"	737	
INBW634E	118.0	27.57	72.2	30	65771	64	127	437	158	57600	28800	550	23000	25	4 x 630		81	3"	3"	756	
INBW634F	127.2	29.71	71.2	33	64451	63	125	492	178	67200	38400	550	26000	25	4 x 630		81	3"	3"	797	
INBW634G	135.2	31.56	69.2	36	63152	62	124	546	197	67200	38400	550	29000	25	4 x 630		81	3"	3"	837	
INBW635C	112.0	26.13	50.7	32	85540	67	134	409	148	60000	24000	550	22100	30	5 x 630		82	3"	3"	875	
INBW635D	127.3	29.75	53.7	36	83897	66	132	477	172	72000	36000	550	25000	30	5 x 630		82	3"	3"	900	
INBW635E	134.8	31.52	44.4	42	82285	65	130	546	197	72000	36000	550	29000	30	5 x 630		82	3"	3"	924	
INBW635F	132.5	30.98	29.9	50	80761	64	128	614	222	84000	48000	550	33000	30	5 x 630		82	3"	3"	974	
INBW635G	149.9	35.00	37.0	52	79057	63	126	682	246	84000	48000	550	36000	30	5 x 630		82	3"	3"	1025	
INBW801C	35.5	8.29	57.5	10	30136	78	-	120	43	18000	9000	700	6500	15	1 x 800		P=5100W I=8.8A n=1270min-1 V=400V 4 poles	81	2"	2"	255
INBW801D	38.0	8.87	45.6	12	29370	76	-	140	51	21000	12000	700	7500	15	1 x 800			81	2"	2"	262
INBW801E	43.1	10.05	52.1	13	28600	75	-	160	58	21000	12000	700	8500	15	1 x 800			81	2"	2"	269
INBW801F	50.3	11.75	77.3	13	27846	73	-	180	65	21000	12000	700	9500	15	1 x 800			81	2"	2"	284
INBW801G	51.4	11.99	59.9	15	27197	71	-	200	72	21000	12000	700	10500	15	1 x 800			81	2"	2"	298
INBW802C	75.0	17.52	75.5	18	60016	83	-	237	86	34200	17100	700	12800	25	2 x 800			84	2 1/2"	2 1/2"	525
INBW802D	82.8	19.33	68.5	21	58424	82	-	277	100	39900	22800	700	14500	25	2 x 800			84	2 1/2"	2 1/2"	540
INBW802E	89.4	20.89	62.0	24	56919	80	-	316	114	39900	22800	700	16500	25	2 x 800			84	2 1/2"	2 1/2"	554
INBW802F	95.1	22.21	56.1	27	55499	78	-	356	129	39900	22800	700	19000	25	2 x 800	84		2 1/2"	2 1/2"	582	
INBW802G	105.2	24.58	67.5	28	54100	77	-	395	143	39900	22800	700	21000	25	2 x 800	84		2 1/2"	2 1/2"	612	
INBW803C	108.5	25.36	61.5	28	89978	87	-	354	128	52200	26100	700	19100	30	3 x 800	86		3"	3"	787	
INBW803D	121.5	28.38	60.5	32	87559	85	-	413	149	60900	34800	700	22000	30	3 x 800	86		3"	3"	808	
INBW803E	132.7	31.01	58.4	36	85274	83	-	473	171	60900	34800	700	25000	30	3 x 800	86		3"	3"	829	
INBW803F	145.1	33.87	61.6	39	83089	81	-	532	192	60900	34800	700	28000	30	3 x 800	86		3"	3"	873	
INBW803G	153.4	35.79	57.6	43	81061	80	-	591	213	60900	34800	700	31000	30	3 x 800	86		3"	3"	918	
INBW804C	141.3	32.99	54.9	38	119950	89	-	472	170	70200	35100	700	25500	40	4 x 800	87		3"	3"	1038	
INBW804D	160.0	37.41	56.8	43	116695	87	-	550	199	81900	46800	700	29500	40	4 x 800	87		3"	3"	1067	
INBW804E	169.6	39.60	47.3	50	113713	85	-	629	227	81900	46800	700	33500	40	4 x 800	87		3"	3"	1097	
INBW804F	198.1	46.30	70.2	50	110648	84	-	707	256	81900	46800	700	37000	40	4 x 800	87		3"	3"	1155	
INBW804G	216.7	50.58	81.9	52	107864	82	-	786	284	81900	46800	700	41500	40	4 x 800	87		3"	3"	1214	

AirMax II NH₃

Product Description

Applications

This new Industrial Line of cubic coolers is designed to keep refrigerated fresh and frozen goods in medium to very large size of cold storages. This is possible thanks to a wide range of capacity (from 18 to 160 kW), through the availability of different fan diameters (up to 800 mm), several fin spacings and a long list of options. With the new frame design and the improved features in the coil manufacturing, the industrial line allows the clients to select the best model to fit all the needs in the heavy application of the ammonia installations.

Standard design

Coil

The heat exchanger is designed to offer the best performance in cooling for the considered application in order to minimize the refrigerant charge. The coil pitch is 60 x 60, with the tubes in line of 16 mm stainless steel material and aluminium fins. This new pattern is characterized by a large heat exchanger surface which ensures longer intervals between defrost cycles. The only one inlet and outlet connection, with combination of the different large fin spacing (6, 8, 10 and 12 mm) and the several coil block modules make the new line an innovative product range in the market.

Casing

All units use galvanized steel painted RAL 9002, while the drip tray is in aluminium painted. The frame has been designed in order to ensure an easy installation and maintenance. A large and deep drip tray permits a fast discharge of the water defrosting, with regard to the bottom storage goods. The supports have two different positions (flush mounted or space) to consent to install the water defrost cassette. Structural parts are fastened with stainless steel bolts and screws. Structures made of galvanized steel, with optimized length to permit uniform air suction in the coil.

Benefits

- High energy efficiency class
- Plug-in installation
- Easy maintenance
- Correct design for any working conditions
- Silence installation
- Performance reliable
- Safety equipment
- Several options available

Options

- Fan prewired to common terminal box
- Stainless steel drip tray
- Insulated drip tray
- Stainless steel casing
- Special powerful fan motors
- Air throw fan cowl



- AlfaStreamer
- Air sock adapter ring
- Fan ring heater
- Epoxy pre-coated fins
- Cataphoresys treatment
- Floor mounting supports
- Motor cabling
- Hot gas defrost (coil + drip tray) fully connected
- Hot gas defrost loose
- Electric defrost
- Light electric defrost
- Water defrost
- Combined defrost systems

Fans

Four different fan diameters available: 500, 560, 630 and 800 with three-phase motors (4/6 poles) 400V-50/60 Hz. The motors are with external rotor, constructed in accordance with VDE 0530/12.84. Protection class IP 54 according to DIN40050. Integrated thermal protection by thermo contacts, provide reliable protection against thermal overload. Sickle bladed die cast aluminium impeller and fan guard of steel cataphoresis black coated. All the standard fan motors can work down to -40°C; special lubrication is suitable upon request.

For air temperature lower than +20°C, the full load current (FLC) can be calculated by using the correction factor table. The overload protectors should have 20% margin to accommodate fan motor supplier variations.

T [°C]	20	10	0	-10	-15	-20	-25	-30
Fc	1	1,04	1,08	1,12	1,14	1,16	1,18	1,2

MODEL	Ca-pacity	Capac-ity	Air Flow	Air Throw m		Sur-face	Tube volume	Defrost W				Fan Motors Ø mm x n°	Motor data	Noise Level dB(A)	Connections		Weight [kg]	
	T.air 0C°/ T.ev -8C°	T.air -25C°/ T.ev -32C°	m³/h	-	Alfa Streamer	[m²]	[dm³]	E	EL	HG+E (tray)	FRH				5 mt	IN		OUT
Fin Spacing 4 mm / High speed Rotation																		
ILGA501A4	11.15	9.581	7873	35	70	75.82	8.1	5600	2800	1400	450	500 X1	P=790W I=1.45A n=1330min-1 V=400V 4 poles	64	1"	1 1/2"	103.7	
ILGA501B4	12.8	10.9	7587	34	68	94.77	10.1	6300	3500	1400	450	500 X1		64	1"	1 1/2"	108.7	
ILGA501C4	14.67	11.91	7308	33	66	113.7	12.2	7000	3500	1400	450	500 X1		64	1"	1 1/2"	113.7	
ILGA502A4	24.58	19.59	15640	38	76	149.1	15.9	11200	5600	2800	900	500 X2		67	1"	1 1/2"	212.4	
ILGA502B4	29.59	22.59	15050	37	74	186.3	19.9	12600	7000	2800	900	500 X2		67	1"	1 1/2"	222.4	
ILGA502C4	32.63	24.93	14500	36	72	223.6	23.9	14000	7000	2800	900	500 X2		67	1"	1 1/2"	232.4	
ILGA503A4	35.94	26.05	23410	40	80	222.3	23.8	16800	8400	4200	1350	500 X3		69	1"	1 1/2"	313.1	
ILGA503B4	43.47	30.41	22520	39	78	277.9	29.7	18900	10500	4200	1350	500 X3		69	1"	1 1/2"	330.1	
ILGA503C4	48.14	33.97	21700	38	76	333.4	35.6	21000	10500	4200	1350	500 X3		69	1"	1 1/2"	344.1	
ILGA504A4	48.96	39.2	31220	41	82	295.5	31.6	21600	10800	5400	1800	500 X4		70	1"	2"	418.8	
ILGA504B4	58.92	45.17	30020	40	80	369.4	39.5	24300	13500	5400	1800	500 X4		70	1"	2"	437.8	
ILGA504C4	64.97	49.82	28910	39	78	443.3	47.4	27000	13500	5400	1800	500 X4		70	1"	2"	457.8	
ILGA505A4	60.98	46.58	38990	42	84	368.8	39.4	27200	13600	6800	2250	500 X5		71	1"	2"	522.5	
ILGA505B4	73.52	54.02	37490	41	82	460.9	49.3	30600	17000	6800	2250	500 X5		71	1"	2"	546.5	
ILGA505C4	81.18	59.89	36110	41	82	553.1	59.1	34000	17000	6800	2250	500 X5		71	1"	2"	571.5	
ILGA561B4	21.78	16.96	10610	41	-	147.9	15.8	8000	4000	1600	500	560 X1		P=1000W I=1.80A n=1220min-1 V=400V 4 poles	68	1"	2"	136.5
ILGA561C4	23.89	18.44	10230	40	-	177.5	19.0	9600	4800	1600	500	560 X1	68		1"	2"	144.5	
ILGA561D4	25.38	19.49	9867	39	-	207.1	22.1	12000	6400	1600	500	560 X1	68		1"	2"	160.5	
ILGA562B4	42.84	29.76	21110	45	-	291.5	31.2	16000	8000	3200	1000	560 X2	71		1"	2"	315.0	
ILGA562C4	47.21	33.1	20330	44	-	349.8	37.4	19200	9600	3200	1000	560 X2	71		1"	2"	331.0	
ILGA562D4	50.47	35.68	19600	43	-	408.1	43.6	24000	12800	3200	1000	560 X2	71		1"	2"	363.0	
ILGA563B4	65.6	48.93	31620	47	-	435.1	46.5	24000	12000	4800	1500	560 X3	73		1"	2"	426.5	
ILGA563C4	71.97	53.84	30450	46	-	522.1	55.8	28800	14400	4800	1500	560 X3	73		1"	2"	452.5	
ILGA563D4	76.66	57.47	29350	45	-	609.1	65.1	36000	19200	4800	1500	560 X3	73		1"	2"	500.5	
ILGA564B4	85.69	59.87	42120	49	-	578.7	61.9	32000	16000	6400	2000	560 X4	74		1 1/2"	2 1/2"	589.0	
ILGA564C4	94.38	66.54	40550	48	-	694.4	74.2	38400	19200	6400	2000	560 X4	74		1 1/2"	2 1/2"	622.0	
ILGA564D4	100.8	71.65	39080	47	-	810.2	86.6	48000	25600	6400	2000	560 X4	74		1 1/2"	2 1/2"	685.0	
ILGA565B4	108.8	79.61	52630	50	-	722.3	77.2	40000	20000	8000	2500	560 X5	75		1 1/2"	2 1/2"	680.5	
ILGA565C4	119.5	87.84	50670	49	-	866.7	92.7	48000	24000	8000	2500	560 X5	75		1 1/2"	2 1/2"	720.5	
ILGA565D4	127.4	94	48830	48	-	1011	108.1	60000	32000	8000	2500	560 X5	75		1 1/2"	2 1/2"	801.5	
ILGA631B4	30.25	22.98	15930	54	108	184.9	19.8	9600	4800	1600	550	630 X1	P=2600W I=4.8A n=1310min-1 V=400V 4 poles		75	1"	2"	192.5
ILGA631C4	33.68	25.59	15530	53	106	221.9	23.7	12000	5600	1600	550	630 X1		75	1"	2"	202.5	
ILGA631D4	36.42	27.62	15140	52	104	258.8	27.7	14400	7200	1600	550	630 X1		75	1"	2"	222.5	
ILGA632B4	60.11	45.97	31760	58	116	364.4	38.9	19200	9600	3200	1100	630 X2		78	1"	2"	396.0	
ILGA632C4	66.92	51.16	30940	57	114	437.3	46.7	24000	11200	3200	1100	630 X2		78	1"	2"	416.0	
ILGA632D4	72.35	55.18	30160	56	112	510.1	54.5	28800	14400	3200	1100	630 X2		78	1"	2"	457.0	
ILGA633B4	88.49	61.93	47580	61	122	543.9	58.1	28800	14400	4800	1650	630 X3		80	1 1/2"	2 1/2"	593.5	
ILGA633C4	98.89	69.69	46340	59	118	652.6	69.8	36000	16800	4800	1650	630 X3		80	1 1/2"	2 1/2"	622.5	
ILGA633D4	107.3	76.04	45160	58	116	761.4	81.4	43200	21600	4800	1650	630 X3		80	1 1/2"	2 1/2"	684.5	
ILGA634B4	119.3	86.28	63410	62	124	723.4	77.3	38400	19200	6400	2200	630 X4		81	1 1/2"	3"	784.0	
ILGA634C4	133.1	96.69	61750	61	122	868.0	92.8	48000	22400	6400	2200	630 X4		81	1 1/2"	3"	824.0	
ILGA634D4	144.2	105.1	60170	60	120	1013	108.3	57600	28800	6400	2200	630 X4		81	1 1/2"	3"	906.0	
ILGA635B4	145.2	98.88	79230	64	128	902.9	96.5	48000	24000	8000	2750	630 X5		82	1 1/2"	3"	959.5	
ILGA635C4	162.5	111.7	77150	63	126	1083	115.8	60000	28000	8000	2750	630 X5		82	1 1/2"	3"	1010	
ILGA635D4	176.6	122.3	75170	62	124	1264	135.1	72000	36000	8000	2750	630 X5		82	1 1/2"	3"	1111	
ILGA801B4	45.59	32.70	29170	54	-	264.9	28.3	15000	8000	3000	700	800 X1		P=5100W I=8.8A n=1270min-1 V=400V 4 poles	81	1"	1 1/2"	277.0
ILGA801C4	53.34	37.05	28080	53	-	317.9	34.0	18000	9000	3000	700	800 X1	81		1"	1 1/2"	291.0	
ILGA801D4	58.16	40.73	27110	52	-	370.9	39.6	21000	11000	3000	700	800 X1	81		1"	1 1/2"	320.0	
ILGA802B4	91.19	66.10	58130	60	-	523.4	55.9	28500	15200	5700	1400	800 X2	84		1 1/2"	2 1/2"	570.0	
ILGA802C4	106.6	74.79	55920	58	-	628.1	67.1	34200	17100	5700	1400	800 X2	84		1 1/2"	2 1/2"	598.0	
ILGA802D4	116.2	82.12	53960	57	-	732.8	78.3	39900	20900	5700	1400	800 X2	84		1 1/2"	2 1/2"	657.0	
ILGA803B4	136.8	99.48	87080	63	-	781.9	83.6	43500	23200	8700	2100	800 X3	86		1 1/2"	3"	853.0	
ILGA803C4	159.9	112.5	83750	62	-	938.3	100.3	52200	26100	8700	2100	800 X3	86		1 1/2"	3"	896.0	
ILGA803D4	174.2	123.5	80800	60	-	1095	117.0	60900	31900	8700	2100	800 X3	86		1 1/2"	3"	985.0	
ILGA804B4	182.4	132.9	116000	65	-	1040	111.2	58500	31200	11700	2800	800 X4	87		1 1/2"	3"	1126	
ILGA804C4	213.2	150.3	111600	64	-	1248	133.4	70200	35100	11700	2800	800 X4	87		1 1/2"	3"	1185	
ILGA804D4	220.7	144.1	107600	63	-	1457	155.7	81900	42900	11700	2800	800 X4	87		1 1/2"	3"	1303	

MODEL	Ca- pacity	Ca- pacity	Air Flow	Air throw m		Sur- face	Tube volume	Defrost W				Fan Motors Ø mm x n°	Motor data	Noise Level dB(A)	Connections		Weight [kg]	
	T.air 0C°/ T.ev -8C°	T.air -25C°/ T.ev -32C°	m³/h	-	Alfa Streamer	[m²]	[dm³]	E	EL	HG+E (tray)	FRH				5 mt	IN		OUT
Fin Spacing 6 mm / High speed Rotation																		
ILRA501A6	8.409	7.413	8127	35	70	51.32	8.1	5600	2800	1400	450	500 X1	P=790W I=1.45A n=1330min-1 V=400V 4 poles	64	1"	1"1/2	101.7	
ILRA501B6	9.926	8.684	7901	35	70	64.15	10.1	6300	3500	1400	450	500 X1		64	1"	1"1/2	106.7	
ILRA501C6	11.22	9.748	7675	34	68	76.98	12.2	7000	3500	1400	450	500 X1		64	1"	1"1/2	111.7	
ILRA502A6	19.45	16.01	16160	39	78	100.9	15.9	11200	5600	2800	900	500 X2		67	1"	1"1/2	208.4	
ILRA502B6	23.03	18.81	15680	38	76	126.1	19.9	12600	7000	2800	900	500 X2		67	1"	1"1/2	218.4	
ILRA502C6	27.27	21.15	15200	37	74	151.3	23.9	14000	7000	2800	900	500 X2		67	1"	1"1/2	228.4	
ILRA503A6	29.09	22.18	24190	41	82	150.5	23.8	16800	8400	4200	1350	500 X3		69	1"	1"1/2	308.1	
ILRA503B6	34.51	26.34	23470	40	80	188.1	29.7	18900	10500	4200	1350	500 X3		69	1"	1"1/2	324.1	
ILRA503C6	40.79	29.92	22760	39	78	225.7	35.6	21000	10500	4200	1350	500 X3		69	1"	1"1/2	338.1	
ILRA504A6	38.7	31.96	32260	42	84	200.0	31.6	21600	10800	5400	1800	500 X4		70	1"	2"	411.8	
ILRA504B6	45.83	37.53	31300	41	82	250.1	39.5	24300	13500	5400	1800	500 X4		70	1"	2"	430.8	
ILRA504C6	54.31	42.18	30330	41	82	300.1	47.4	27000	13500	5400	1800	500 X4		70	1"	2"	449.8	
ILRA505A6	48.67	38.8	40300	43	86	249.6	39.4	27200	13600	6800	2250	500 X5		71	1"	2"	513.5	
ILRA505B6	57.67	45.87	39090	43	86	312.0	49.3	30600	17000	6800	2250	500 X5		71	1"	2"	536.5	
ILRA505C6	68.17	51.9	37880	42	84	374.4	59.1	34000	17000	6800	2250	500 X5		71	1"	2"	561.5	
ILRA561B6	16.82	13.9	11050	43	-	100.1	15.8	8000	4000	1600	500	560 X1		P=1000W I=1.80A n=1220min-1 V=400V 4 poles	68	1"	2"	134.5
ILRA561C6	19.76	15.53	10720	42	-	120.1	19.0	9600	4800	1600	500	560 X1	68		1"	2"	141.5	
ILRA561D6	21.43	16.89	10410	41	-	140.2	22.1	12000	6400	1600	500	560 X1	68		1"	2"	157.5	
ILRA562B6	35.9	25.97	21970	46	-	197.3	31.2	16000	8000	3200	1000	560 X2	71		1"	2"	309.0	
ILRA562C6	40.35	29.4	21330	45	-	236.8	37.4	19200	9600	3200	1000	560 X2	71		1"	2"	325.0	
ILRA562D6	44.13	32.28	20700	45	-	276.2	43.6	24000	12800	3200	1000	560 X2	71		1"	2"	356.0	
ILRA563B6	51.49	41.51	32960	49	-	294.5	46.5	24000	12000	4800	1500	560 X3	73		1"	2"	419.5	
ILRA563C6	60.74	46.59	31950	48	-	353.4	55.8	28800	14400	4800	1500	560 X3	73		1"	2"	444.5	
ILRA563D6	66.31	50.69	31010	47	-	412.3	65.1	36000	19200	4800	1500	560 X3	73		1"	2"	491.5	
ILRA564B6	71.69	52.13	43870	50	-	391.7	61.9	32000	16000	6400	2000	560 X4	74		1"1/2	2"1/2	578.0	
ILRA564C6	80.56	58.98	42560	49	-	470.1	74.2	38400	19200	6400	2000	560 X4	74		1"1/2	2"1/2	610.0	
ILRA564D6	88.09	64.71	41300	48	-	548.4	86.6	48000	25600	6400	2000	560 X4	74		1"1/2	2"1/2	673.0	
ILRA565B6	85.7	68.05	54870	52	-	488.9	77.2	40000	20000	8000	2500	560 X5	75		1"1/2	2"1/2	668.5	
ILRA565C6	101.2	76.69	53190	51	-	586.7	92.7	48000	24000	8000	2500	560 X5	75		1"1/2	2"1/2	707.5	
ILRA565D6	110.5	83.73	51600	50	-	684.5	108.1	60000	32000	8000	2500	560 X5	75		1"1/2	2"1/2	787.5	
ILRA631B6	23.35	19.03	16390	55	110	125.1	19.8	9600	4800	1600	550	630 X1	P=2600W I=4.8A n=1310min-1 V=400V 4 poles		75	1"	2"	188.5
ILRA631C6	26.52	21.54	16050	54	108	150.2	23.7	12000	5600	1600	550	630 X1		75	1"	2"	198.5	
ILRA631D6	30.69	23.67	15720	53	106	175.2	27.7	14400	7200	1600	550	630 X1		75	1"	2"	218.5	
ILRA632B6	46.31	37.94	32700	59	118	246.6	38.9	19200	9600	3200	1100	630 X2		78	1"	2"	389.0	
ILRA632C6	52.64	42.92	32010	58	116	296.0	46.7	24000	11200	3200	1100	630 X2		78	1"	2"	408.0	
ILRA632D6	60.9	47.15	31340	57	114	345.3	54.5	28800	14400	3200	1100	630 X2		78	1"	2"	448.0	
ILRA633B6	69.56	53.23	48990	62	124	368.2	58.1	28800	14400	4800	1650	630 X3		80	1"1/2	2"1/2	582.5	
ILRA633C6	82.84	60.78	47920	61	122	441.8	69.8	36000	16800	4800	1650	630 X3		80	1"1/2	2"1/2	611.5	
ILRA633D6	91.54	67.36	46930	60	120	515.4	81.4	43200	21600	4800	1650	630 X3		80	1"1/2	2"1/2	671.5	
ILRA634B6	93.01	73.16	65300	64	128	489.7	77.3	38400	19200	6400	2200	630 X4		81	1"1/2	3"	769.0	
ILRA634C6	111.1	83.35	63870	63	126	587.6	92.8	48000	22400	6400	2200	630 X4		81	1"1/2	3"	809.0	
ILRA634D6	122.3	92.15	62550	62	124	685.5	108.3	57600	28800	6400	2200	630 X4		81	1"1/2	3"	889.0	
ILRA635B6	115	85.92	81590	65	130	611.2	96.5	48000	24000	8000	2750	630 X5		82	1"1/2	3"	942.5	
ILRA635C6	136.9	98.31	79800	64	128	733.4	115.8	60000	28000	8000	2750	630 X5		82	1"1/2	3"	990.5	
ILRA635D6	151.4	109.2	78140	63	126	855.6	135.1	72000	36000	8000	2750	630 X5		82	1"1/2	3"	1090	
ILRA801B6	37.29	28.21	30440	56	-	179.3	28.3	15000	8000	3000	700	800 X1		P=5100W I=8.8A n=1270min-1 V=400 V 4 poles	81	1"	1"1/2	272.0
ILRA801C6	42.75	32.39	29490	55	-	215.2	34.0	18000	9000	3000	700	800 X1	81		1"	1"1/2	286.0	
ILRA801D6	49.70	36.08	28580	54	-	251.1	39.6	21000	11000	3000	700	800 X1	81		1"	1"1/2	314.0	
ILRA802B6	74.34	56.75	60690	61	-	354.3	55.9	28500	15200	5700	1400	800 X2	84		1"1/2	2"1/2	559.0	
ILRA802C6	85.20	65.13	58780	60	-	425.2	67.1	34200	17100	5700	1400	800 X2	84		1"1/2	2"1/2	587.0	
ILRA802D6	94.68	72.49	56980	59	-	496.0	78.3	39900	20900	5700	1400	800 X2	84		1"1/2	2"1/2	645.0	
ILRA803B6	111.4	85.32	90940	65	-	529.3	83.6	43500	23200	8700	2100	800 X3	86		1"1/2	3"	837.0	
ILRA803C6	127.6	97.86	88070	63	-	635.1	100.3	52200	26100	8700	2100	800 X3	86		1"1/2	3"	879.0	
ILRA803D6	141.6	108.9	85360	62	-	741.0	117.0	60900	31900	8700	2100	800 X3	86		1"1/2	3"	967.0	
ILRA804B6	148.4	113.9	121200	67	-	704.2	111.2	58500	31200	11700	2800	800 X4	87		1"1/2	3"	1105	
ILRA804C6	170.1	130.6	117400	66	-	845.1	133.4	70200	35100	11700	2800	800 X4	87		1"1/2	3"	1163	
ILRA804D6	190.9	130.7	113600	64	-	985.9	155.7	81900	42900	11700	2800	800 X4	87		1"1/2	3"	1279	

MODEL	Capacity SC2	Capacity	Air Flow	Air throw m		Surface	Tube volume	Defrost W				Fan Motors Ø mm x n°	Motor data	Noise Level dB(A)	Connections		Weight [kg]
	T.air 0C°/ T.ev -8C°	T.air -25C°/ T.ev -32C°	m³/h	-	Alfa Streamer	[m²]	[dm³]	E	EL	HG+E (tray)	FRH				5 mt	IN	
Fin Spacing 10 mm / High speed Rotation																	
ILBA501A10	6.097	5.441	8339	36	72	31.72	8.1	5600	2800	1400	450	500 X1	P=790W I=1,45A n=1330min-1 V=400V 4 poles	64	1"	1"1/2	97.70
ILBA501B10	7.356	6.527	8174	36	72	39.65	10.1	6300	3500	1400	450	500 X1		64	1"	1"1/2	101.7
ILBA501C10	8.495	7.496	4235	35	70	47.57	12.2	7000	3500	1400	450	500 X1		64	1"	1"1/2	106.7
ILBA502A10	14.73	12.14	16590	40	80	62.35	15.9	11200	5600	2800	900	500 X2		67	1"	1"1/2	199.4
ILBA502B10	17.73	14.57	16240	39	78	77.94	19.9	12600	7000	2800	900	500 X2		67	1"	1"1/2	209.4
ILBA502C10	20.42	16.73	15890	38	76	93.53	23.9	14000	7000	2800	900	500 X2		67	1"	1"1/2	217.4
ILBA503A10	22.35	17.73	24860	42	84	92.99	23.8	16800	8400	4200	1350	500 X3		69	1"	1"1/2	294.1
ILBA503B10	27	21.38	24330	41	82	116.2	29.7	18900	10500	4200	1350	500 X3		69	1"	1"1/2	310.1
ILBA503C10	31.22	24.69	23780	40	80	139.5	35.6	21000	10500	4200	1350	500 X3		69	1"	1"1/2	323.1
ILBA504A10	29.27	24.19	33150	43	86	123.6	31.6	21600	10800	5400	1800	500 X4		70	1"	2"	393.8
ILBA504B10	35.24	29.02	32440	42	84	154.5	39.5	24300	13500	5400	1800	500 X4		70	1"	2"	410.8
ILBA504C10	40.59	33.33	31710	42	84	185.4	47.4	27000	13500	5400	1800	500 X4		70	1"	2"	429.8
ILBA505A10	37.08	30.24	41420	44	88	154.3	39.4	27200	13600	6800	2250	500 X5		71	1"	2"	490.5
ILBA505B10	44.78	36.34	40520	43	86	192.8	49.3	30600	17000	6800	2250	500 X5		71	1"	2"	512.5
ILBA505C10	51.74	41.79	39610	43	86	231.4	59.1	34000	17000	6800	2250	500 X5		71	1"	2"	536.5
ILBA561B10	12.65	10.68	11440	44	-	61.87	15.8	8000	4000	1600	500	560 X1		P=1000W I=1,80A n=1220min-1 V=400V 4 poles	68	1"	2"
ILBA561C10	14.53	12.22	11190	43	-	74.25	19.0	9600	4800	1600	500	560 X1	68		1"	2"	135.5
ILBA561D10	16.2	13.56	10950	42	-	86.62	22.1	12000	6400	1600	500	560 X1	68		1"	2"	150.5
ILBA562B10	26.97	21.21	22790	48	-	121.9	31.2	16000	8000	3200	1000	560 X2	71		1"	2"	295.0
ILBA562C10	31.06	24.42	22280	47	-	146.3	37.4	19200	9600	3200	1000	560 X2	71		1"	2"	310.0
ILBA562D10	36.22	27.23	21760	46	-	170.7	43.6	24000	12800	3200	1000	560 X2	71		1"	2"	340.0
ILBA563B10	40.14	32.61	34160	50	-	182.0	46.5	24000	12000	4800	1500	560 X3	73		1"	2"	400.5
ILBA563C10	46.25	37.37	33400	49	-	218.4	55.8	28800	14400	4800	1500	560 X3	73		1"	2"	423.5
ILBA563D10	53.98	41.54	32610	48	-	254.8	65.1	36000	19200	4800	1500	560 X3	73		1"	2"	468.5
ILBA564B10	53.78	42.46	45510	51	-	242.1	61.9	32000	16000	6400	2000	560 X4	74		1"1/2	2"1/2	552.0
ILBA564C10	61.96	48.87	44490	51	-	290.5	74.2	38400	19200	6400	2000	560 X4	74		1"1/2	2"1/2	583.0
ILBA564D10	72.22	54.48	43440	50	-	338.9	86.6	48000	25600	6400	2000	560 X4	74		1"1/2	2"1/2	642.0
ILBA565B10	67.04	54.15	56890	53	-	302.1	77.2	40000	20000	8000	2500	560 X5	75		1"1/2	2"1/2	639.5
ILBA565C10	77.26	62.1	55660	52	-	362.6	92.7	48000	24000	8000	2500	560 X5	75		1"1/2	2"1/2	675.5
ILBA565D10	90.06	69.08	54290	51	-	423.0	108.1	60000	32000	8000	2500	560 X5	75		1"1/2	2"1/2	751.5
ILBA631B10	17.89	14.68	16790	56	112	77.34	19.8	9600	4800	1600	550	630 X1	P=2600W I=4,8A n=1310min-1 V=400V 4 poles		75	1"	2"
ILBA631C10	20.7	16.93	16540	55	110	92.81	23.7	12000	5600	1600	550	630 X1		75	1"	2"	189.5
ILBA631D10	23.24	18.95	16280	55	110	108.3	27.7	14400	7200	1600	550	630 X1		75	1"	2"	208.5
ILBA632B10	35.42	29.17	33530	60	120	152.4	38.9	19200	9600	3200	1100	630 X2		78	1"	2"	371.0
ILBA632C10	40.98	33.64	33000	60	120	182.9	46.7	24000	11200	3200	1100	630 X2		78	1"	2"	389.0
ILBA632D10	46.01	37.65	32480	59	118	213.4	54.5	28800	14400	3200	1100	630 X2		78	1"	2"	427.0
ILBA633B10	54.08	42.94	50240	63	126	227.5	58.1	28800	14400	4800	1650	630 X3		80	1"1/2	2"1/2	554.5
ILBA633C10	62.78	49.75	49440	62	124	273.0	69.8	36000	16800	4800	1650	630 X3		80	1"1/2	2"1/2	582.5
ILBA633D10	70.69	55.89	48640	61	122	318.5	81.4	43200	21600	4800	1650	630 X3		80	1"1/2	2"1/2	639.5
ILBA634B10	71.92	58.12	66980	65	130	302.6	77.3	38400	19200	6400	2200	630 X4		81	1"1/2	3"	733.0
ILBA634C10	83.48	67.15	65910	64	128	363.1	92.8	48000	22400	6400	2200	630 X4		81	1"1/2	3"	771.0
ILBA634D10	94.01	75.3	64840	63	126	423.6	108.3	57600	28800	6400	2200	630 X4		81	1"1/2	3"	847.0
ILBA635B10	89.83	70.08	83690	66	132	377.7	96.5	48000	24000	8000	2750	630 X5		82	1"1/2	3"	897.5
ILBA635C10	104.3	81.28	82350	65	130	453.2	115.8	60000	28000	8000	2750	630 X5		82	1"1/2	3"	943.5
ILBA635D10	117.4	91.5	81010	65	130	528.8	135.1	72000	36000	8000	2750	630 X5		82	1"1/2	3"	1039
ILBA801B10	29.12	22.94	31600	57	-	110.8	28.3	15000	8000	3000	700	800 X1		P=5100W I=8,8A n=1270min-1 V=400V 4 poles	81	1"	1"1/2
ILBA801C10	33.88	26.67	30850	56	-	133.0	34.0	18000	9000	3000	700	800 X1	81		1"	1"1/2	272.0
ILBA801D10	38.25	30.09	30110	56	-	155.2	39.6	21000	11000	3000	700	800 X1	81		1"	1"1/2	299.0
ILBA802B10	57.93	45.94	63060	63	-	219.0	55.9	28500	15200	5700	1400	800 X2	84		1"1/2	2"1/2	532.0
ILBA802C10	67.40	53.40	61520	62	-	262.7	67.1	34200	17100	5700	1400	800 X2	84		1"1/2	2"1/2	559.0
ILBA802D10	76.08	60.22	60040	61	-	306.5	78.3	39900	20900	5700	1400	800 X2	84		1"1/2	2"1/2	614.0
ILBA803B10	86.73	68.95	94520	66	-	327.1	83.6	43500	23200	8700	2100	800 X3	86		1"1/2	3"	797.0
ILBA803C10	100.9	80.13	92200	65	-	392.5	100.3	52200	26100	8700	2100	800 X3	86		1"1/2	3"	837.0
ILBA803D10	113.9	90.36	89960	64	-	457.9	117.0	60900	31900	8700	2100	800 X3	86		1"1/2	3"	920.0
ILBA804B10	115.5	91.96	126000	68	-	435.2	111.2	58500	31200	11700	2800	800 X4	87		1"1/2	3"	1053
ILBA804C10	134.4	106.9	122900	67	-	522.2	133.4	70200	35100	11700	2800	800 X4	87		1"1/2	3"	1108
ILBA804D10	149.9	111.9	119800	66	-	609.3	155.7	81900	42900	11700	2800	800 X4	87		1"1/2	3"	1218

AirMax II HP

Product Description

Applications

This new Industrial Line of cubic coolers is specifically designed for high pressure (PS = 50 bar) in order to be used with one of the most environmental friendly refrigerant: the carbon dioxide. Typical use is to keep refrigerated fresh and frozen goods in medium to very large size of cold rooms. The range of capacity is quite wide: from 8 to 155 kW at -40°C with $\Delta T=10K$. Through the availability of different fan diameters (up to 800 mm), several fin spacing and a large list of options it is always possible to fit the best model for the required duty. With the new frame design and the improved features in the coil manufacturing, this industrial line allows the clients to install a reliable model to fit all the needs in the heavy application of the refrigeration business.

Standard design

Coil

The heat exchanger is designed to offer the best performance in cooling for the considered application in order to minimize the refrigerant charge. The coil pitch is 60 x 60, with the tubes in line of 16 mm stainless steel material and aluminium fins. This new pattern is characterized by a large heat exchanger surface which ensures longer intervals between the defrost cycles. The only one inlet and outlet connection, with the combination of the different large fin spacing (8, 10 and 12 mm) and the several coil block modules, make the new line an innovative product range in the market.

Casing

All units use galvanized steel painted RAL 9002, while the drip tray is in aluminium painted.

The frame has been design in order to ensure an easy installation and maintenance. A large and deep drip tray permits a fast discharge of the water defrosting, with reliability of the bottom storage goods.

The supports have two different positions (flush mounted or space) to consent to install the water defrost cassette.

Structural parts are fastened with stainless steel bolts and screws.

Structures made of galvanized steel, with optimized length to permit uniform air suction in the coil.

Benefits

- High energy efficiency class
- Plug-in installation
- Easy maintenance
- Correct design for any working conditions
- Silence installation
- Performance reliable
- Safety equipment
- Several options available

Options

- Cabinet visible sheets pre-painted RAL9010
- Fan pre-wired to common terminal box



- Stainless steel drip tray
- Insulated drip tray
- Stainless steel casing
- Special powerful fan motors
- Air throw fan cowl
- AlfaStreamer
- Air sock adapter ring
- Fan ring heater
- Epoxy pre-coated fins
- Cataphoresis treatment
- Floor mounting supports
- Motor cabling
- Hot gas defrost (coil + drip tray) fully connected
- Hot gas defrost loose
- Electric defrost
- Light electric defrost
- Water defrost
- Combined defrost systems

Fans

Four different fan diameters available: 500, 560, 630 and 800 with three-phase motors (4/6 poles) 400V-50/60 Hz. The motors are with external rotor, constructed in accordance with VDE 0530/12.84. Protection class IP 54 according to DIN40050. Integrated thermal protection by thermo contacts, provide reliable protection against thermal overload. Sickle bladed die cast aluminium impeller and fan guard of steel cataphoresis black coated. All the standard fan motors can work down to -40°C; special lubrication is suitable upon request.

For air temperature lower than +20°C, the full load current (FLC) can be calculated by using the correction factor table. The overload protectors should have 20% margin to accommodate fan motor supplier variations.

T [°C]	20	10	0	-10	-15	-20	-25	-30
Fc	1	1,04	1,08	1,12	1,14	1,16	1,18	1,2

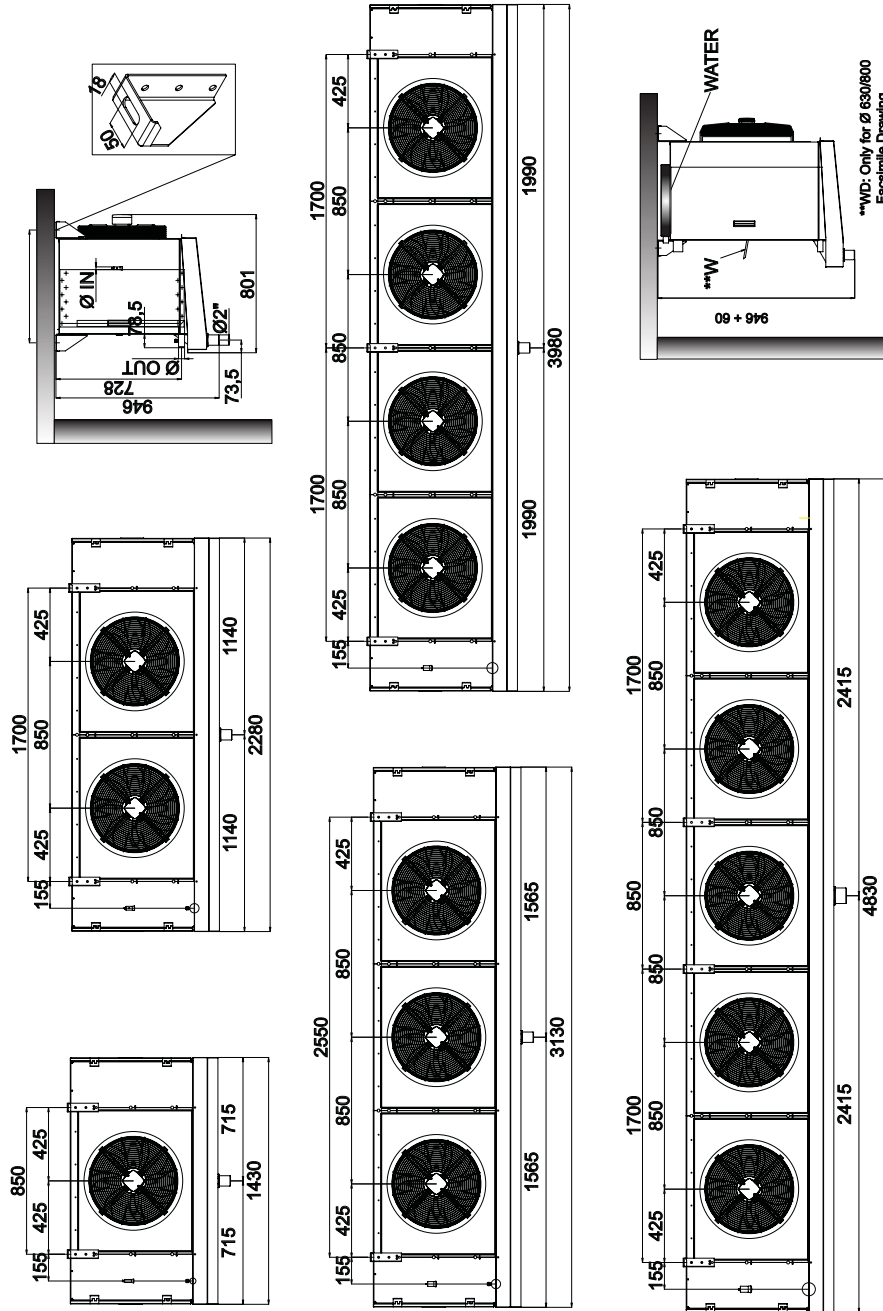
MODEL	Ca- capacity		Air Flow	Air throw m		Sur- face	Tube vol- ume	Defrost W				Fan Motors Ø mm x n°	Motor data	Noise Level dB(A)	Connections		Weight
	T.air 0C°/ T.ev -8C°	T.air -25C°/ T.ev -32C°		m³/h	-			Alfa Streamer	[m²]	[dm³]	E				EL	HG+E (tray)	
Fin Spacing 6 mm / High speed Rotation																	
ILRH501A6	9.142	7.718	8114	35	70	51.32	8.1	5600	2800	1400	450	500 x1	P=790W I=1.45A n=1330min-1 V=400V 4 poles	64	1"	1 1/2"	101.7
ILRH501B6	9.69	8.19	7905	35	70	64.15	10.1	6300	3500	1400	450	500 x1		64	1"	1 1/2"	106.7
ILRH501C6	12.32	10.24	7656	34	68	76.98	12.2	7000	3500	1400	450	500 x1		64	1"	1 1/2"	111.7
ILRH502A6	19.1	15.75	16150	39	78	100.9	15.9	11200	5600	2800	900	500 x2		67	1"	1 1/2"	208.4
ILRH502B6	21.41	17.96	15710	38	76	126.1	19.9	12600	7000	2800	900	500 x2		67	1"	1 1/2"	218.4
ILRH502C6	28.82	20.95	15200	37	74	151.3	23.9	14000	7000	2800	900	500 x2		67	1"	1 1/2"	228.4
ILRH503A6	28.24	23.63	24200	41	82	150.5	23.8	16800	8400	4200	1350	500 x3		69	1"	1 1/2"	308.1
ILRH503B6	33.47	27.81	23500	40	80	188.1	29.7	18900	10500	4200	1350	500 x3		69	1"	1 1/2"	324.1
ILRH503C6	37.83	31.32	22800	39	78	225.7	35.6	21000	10500	4200	1350	500 x3		69	1"	1 1/2"	338.1
ILRH504A6	38.09	31.46	32260	42	84	200.0	31.6	21600	10800	5400	1800	500 x4		70	1 1/2"	2"	411.8
ILRH504B6	42.55	35.69	31360	41	82	250.1	39.5	24300	13500	5400	1800	500 x4		70	1 1/2"	2"	430.8
ILRH504C6	48.32	40.24	30410	41	82	300.1	47.4	27000	13500	5400	1800	500 x4		70	1 1/2"	2"	449.8
ILRH505A6	46.1	38.81	40350	43	86	249.6	39.4	27200	13600	6800	2250	500 x5		71	1 1/2"	2"	513.5
ILRH505B6	54.65	45.66	39150	43	86	312.0	49.3	30600	17000	6800	2250	500 x5		71	1 1/2"	2"	536.5
ILRH505C6	62.01	51.43	37960	42	84	374.4	59.1	34000	17000	6800	2250	500 x5		71	1 1/2"	2"	561.5
ILRH561B6	15.57	13.05	11070	43	-	100.1	15.8	8000	4000	1600	500	560 x1		P=1000W I=1.80A n=1220min-1 V=400V 4 poles	68	1"	1 1/2"
ILRH561C6	17.65	14.68	10740	42	-	120.1	19.0	9600	4800	1600	500	560 x1	68		1"	1 1/2"	141.5
ILRH561D6	20.15	16.03	10420	41	-	140.2	22.1	12000	6400	1600	500	560 x1	68		1"	1 1/2"	157.5
ILRH562B6	33.46	27.67	22020	46	-	197.3	31.2	16000	8000	3200	1000	560 x2	71		1"	1 1/2"	309.0
ILRH562C6	39.38	31.03	21340	45	-	236.8	37.4	19200	9600	3200	1000	560 x2	71		1"	1 1/2"	325.0
ILRH562D6	43.03	33.79	20720	45	-	276.2	43.6	24000	12800	3200	1000	560 x2	71		1"	1 1/2"	356.0
ILRH563B6	48.7	40.59	33010	49	-	294.5	46.5	24000	12000	4800	1500	560 x3	73		1 1/2"	2"	419.5
ILRH563C6	54.98	45.53	32000	48	-	353.4	55.8	28800	14400	4800	1500	560 x3	73		1 1/2"	2"	444.5
ILRH563D6	62.73	49.59	31030	47	-	412.3	65.1	36000	19200	4800	1500	560 x3	73		1 1/2"	2"	491.5
ILRH564B6	66.64	55.15	43950	50	-	391.7	61.9	32000	16000	6400	2000	560 x4	74		2"	2 1/2"	578.0
ILRH564C6	78.43	61.86	42590	49	-	470.1	74.2	38400	19200	6400	2000	560 x4	74		2"	2 1/2"	610.0
ILRH564D6	85.7	67.34	41330	48	-	548.4	86.6	48000	25600	6400	2000	560 x4	74		2"	2 1/2"	673.0
ILRH565B6	84.18	69	54900	52	-	488.9	77.2	40000	20000	8000	2500	560 x5	75		2 1/2"	3"	668.5
ILRH565C6	98.96	77.46	53200	51	-	586.7	92.7	48000	24000	8000	2500	560 x5	75		2 1/2"	3"	707.5
ILRH565D6	108.2	84.39	51620	50	-	684.5	108.1	60000	32000	8000	2500	560 x5	75		2 1/2"	3"	787.5
ILRH631B6	21.7	18.21	16410	55	110	125.1	19.8	9600	4800	1600	550	630 x1	P=2600W I=4.8A n=1310min-1 V=400V 4 poles		75	1 1/2"	2"
ILRH631C6	24.79	20.65	16080	54	108	150.2	23.7	12000	5600	1600	550	630 x1		75	1 1/2"	2"	198.5
ILRH631D6	27.41	22.75	15750	53	106	175.2	27.7	14400	7200	1600	550	630 x1		75	1 1/2"	2"	218.5
ILRH632B6	45.59	37.43	32700	59	118	246.6	38.9	19200	9600	3200	1100	630 x2		78	1 1/2"	2"	389.0
ILRH632C6	51.82	42.49	32010	58	116	296.0	46.7	24000	11200	3200	1100	630 x2		78	1 1/2"	2"	408.0
ILRH632D6	60.04	46.77	31330	57	114	345.3	54.5	28800	14400	3200	1100	630 x2		78	1 1/2"	2"	448.0
ILRH633B6	67.28	55.99	49040	62	124	368.2	58.1	28800	14400	4800	1650	630 x3		80	2"	2 1/2"	582.5
ILRH633C6	76.8	63.47	48000	61	122	441.8	69.8	36000	16800	4800	1650	630 x3		80	2"	2 1/2"	611.5
ILRH633D6	88.61	69.86	46960	60	120	515.4	81.4	43200	21600	4800	1650	630 x3		80	2"	2 1/2"	671.5
ILRH634B6	90.95	74.79	65330	64	128	489.7	77.3	38400	19200	6400	2200	630 x4		81	2 1/2"	3"	769.0
ILRH634C6	103.5	84.88	63930	63	126	587.6	92.8	48000	22400	6400	2200	630 x4		81	2 1/2"	3"	809.0
ILRH634D6	119.8	93.42	62560	62	124	685.5	108.3	57600	28800	6400	2200	630 x4		81	2 1/2"	3"	889.0
ILRH635B6	112.8	93.53	81660	65	130	611.2	96.5	48000	24000	8000	2750	630 x5		82	2 1/2"	3"	942.5
ILRH635C6	128.7	106	79920	64	128	733.4	115.8	60000	28000	8000	2750	630 x5		82	2 1/2"	3"	990.5
ILRH635D6	148.4	116.7	78190	63	126	855.6	135.1	72000	36000	8000	2750	630 x5		82	2 1/2"	3"	1090
ILRH801B6	36.19	30.29	30490	56	-	179.3	28.3	15000	8000	3000	700	800 x1		P=5100W I=8.8A n=1270min-1 V=400 V 4 poles	81	1"	1 1/2"
ILRH801C6	41.44	34.48	29550	55	-	215.2	34.0	18000	9000	3000	700	800 x1	81		1"	1 1/2"	286.0
ILRH801D6	46.05	38.10	28660	54	-	251.1	39.6	21000	11000	3000	700	800 x1	81		1"	1 1/2"	314.0
ILRH802B6	71.83	60.21	60800	61	-	354.3	55.9	28500	15200	5700	1400	800 x2	84		2"	2 1/2"	559.0
ILRH802C6	82.26	68.54	58890	60	-	425.2	67.1	34200	17100	5700	1400	800 x2	84		2"	2 1/2"	587.0
ILRH802D6	91.40	75.72	57100	59	-	496.0	78.3	39900	20900	5700	1400	800 x2	84		2"	2 1/2"	645.0
ILRH803B6	107.5	90.13	91110	65	-	529.3	83.6	43500	23200	8700	2100	800 x3	86		2 1/2"	3"	837.0
ILRH803C6	123.1	102.6	88240	63	-	635.1	100.3	52200	26100	8700	2100	800 x3	86		2 1/2"	3"	879.0
ILRH803D6	138.9	113.1	85420	62	-	741.0	117.0	60900	31900	8700	2100	800 x3	86		2 1/2"	3"	967.0
ILRH804B6	145.5	120.5	121300	67	-	704.2	111.2	58500	31200	11700	2800	800 x4	87		2 1/2"	3"	1105
ILRH804C6	166.7	137.3	117500	66	-	845.1	133.4	70200	35100	11700	2800	800 x4	87		2 1/2"	3"	1163
ILRH804D6	185.3	151.8	113900	64	-	985.9	155.7	81900	42900	11700	2800	800 x4	87		2 1/2"	3"	1279

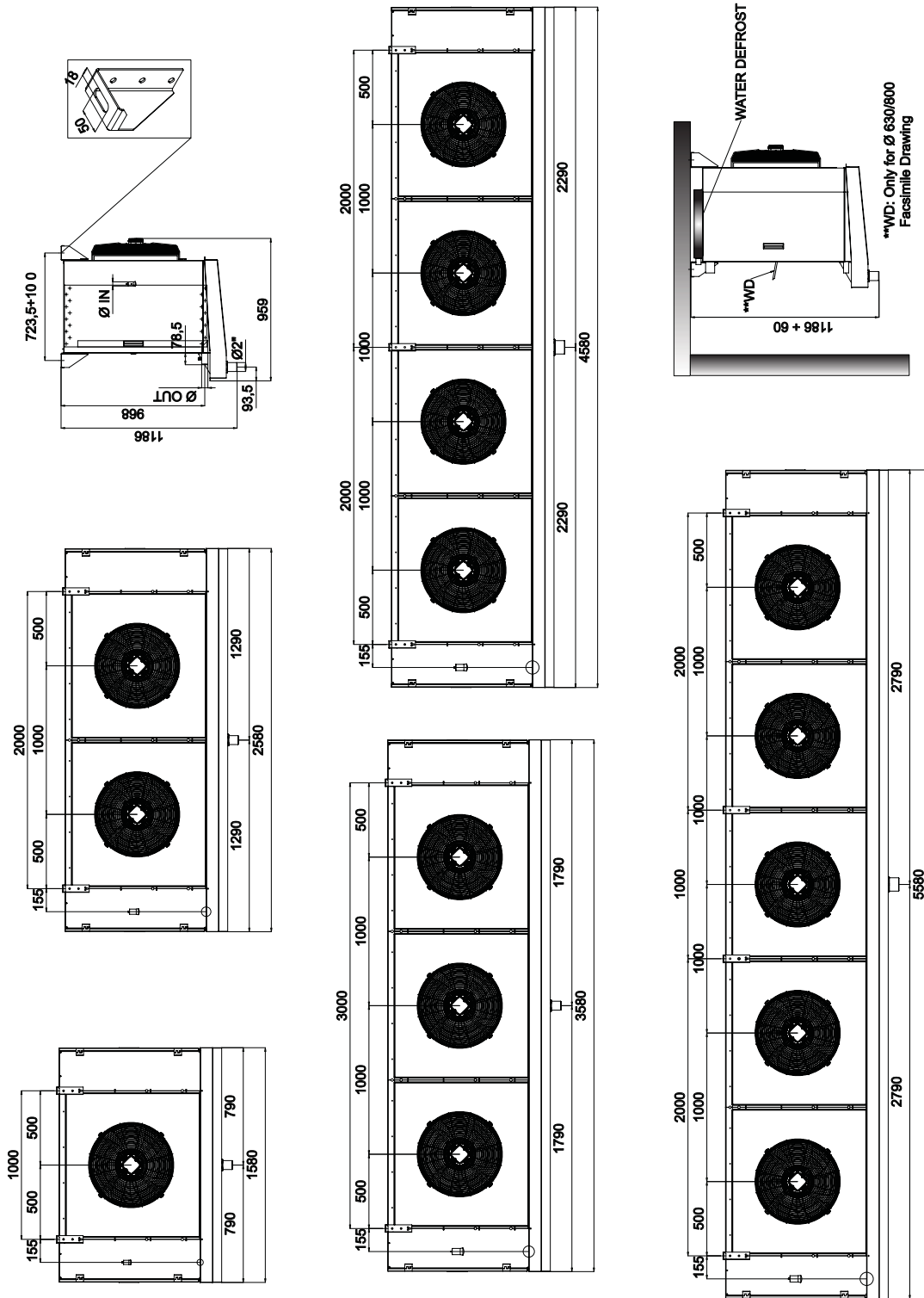
MODEL	Ca- pacity	Ca- pacity	Air Flow	Air throw m		Sur- face	Tube vol- ume	Defrost W				Fan Motors Ø mm x n°	Motor data	Noise Level dB(A)	Connections		Weight
	T.air 0C°/ T.ev -8C°	T.air -25C°/ T.ev -32C°	m³/h	-	Alfa Streamer	[m²]	[dm³]	E	EL	HG+E (tray)	FRH				5 mt	IN	
Fin Spacing 10 mm / High speed Rotation																	
ILBH501A10	6.893	5.806	8325	36	72	31.72	8.1	5600	2800	1400	450	500 x1	P=790W I=1.45A n=1330min-1 V=400V 4 poles	64	1"	1 1/2"	97.70
ILBH501B10	7.366	5.969	8174	36	72	39.65	10.1	6300	3500	1400	450	500 x1		64	1"	1 1/2"	101.7
ILBH501C10	9.644	8.036	7983	35	70	47.57	12.2	7000	3500	1400	450	500 x1		64	1"	1 1/2"	106.7
ILBH502A10	14.58	12.09	16590	40	80	62.35	15.9	11200	5600	2800	900	500 x2		67	1"	1 1/2"	199.4
ILBH502B10	16.45	13.79	16270	39	78	77.94	19.9	12600	7000	2800	900	500 x2		67	1"	1 1/2"	209.4
ILBH502C10	20.37	16.73	15880	38	76	93.53	23.9	14000	7000	2800	900	500 x2		67	1"	1 1/2"	217.4
ILBH503A10	21.39	17.91	24880	42	84	92.99	23.8	16800	8400	4200	1350	500 x3		69	1"	1 1/2"	294.1
ILBH503B10	25.84	21.52	24350	41	82	116.2	29.7	18900	10500	4200	1350	500 x3		69	1"	1 1/2"	310.1
ILBH503C10	29.88	24.76	23810	40	80	139.5	35.6	21000	10500	4200	1350	500 x3		69	1"	1 1/2"	323.1
ILBH504A10	29.05	24.1	33150	43	86	123.6	31.6	21600	10800	5400	1800	500 x4		70	1 1/2"	2"	393.8
ILBH504B10	32.67	27.41	32490	42	84	154.5	39.5	24300	13500	5400	1800	500 x4		70	1 1/2"	2"	410.8
ILBH504C10	37.82	31.55	31760	42	84	185.4	47.4	27000	13500	5400	1800	500 x4		70	1 1/2"	2"	429.8
ILBH505A10	34.81	29.26	41460	44	88	154.3	39.4	27200	13600	6800	2250	500 x5		71	1 1/2"	2"	490.5
ILBH505B10	42.07	35.17	40570	43	86	192.8	49.3	30600	17000	6800	2250	500 x5		71	1 1/2"	2"	512.5
ILBH505C10	48.65	40.47	39660	43	86	231.4	59.1	34000	17000	6800	2250	500 x5		71	1 1/2"	2"	536.5
ILBH561B10	11.96	10.03	11450	44	-	61.87	15.8	8000	4000	1600	500	560 x1	P=1000W I=1.80A n=1220min-1 V=400V 4 poles	68	1"	1 1/2"	128.5
ILBH561C10	13.82	11.52	11210	43	-	74.25	19.0	9600	4800	1600	500	560 x1		68	1"	1 1/2"	135.5
ILBH561D10	15.49	12.85	10960	42	-	86.62	22.1	12000	6400	1600	500	560 x1		68	1"	1 1/2"	150.5
ILBH562B10	25.93	21.52	22810	48	-	121.9	31.2	16000	8000	3200	1000	560 x2		71	1"	1 1/2"	295.0
ILBH562C10	29.9	24.68	22300	47	-	146.3	37.4	19200	9600	3200	1000	560 x2		71	1"	1 1/2"	310.0
ILBH562D10	33.34	27.47	21800	46	-	170.7	43.6	24000	12800	3200	1000	560 x2		71	1"	1 1/2"	340.0
ILBH563B10	37.56	31.35	34200	50	-	182.0	46.5	24000	12000	4800	1500	560 x3		73	1 1/2"	2"	400.5
ILBH563C10	43.33	35.97	33440	49	-	218.4	55.8	28800	14400	4800	1500	560 x3		73	1 1/2"	2"	423.5
ILBH563D10	48.49	40.04	32680	48	-	254.8	65.1	36000	19200	4800	1500	560 x3		73	1 1/2"	2"	468.5
ILBH564B10	51.61	42.86	45560	51	-	242.1	61.9	32000	16000	6400	2000	560 x4		74	2"	2 1/2"	552.0
ILBH564C10	59.51	49.16	44540	51	-	290.5	74.2	38400	19200	6400	2000	560 x4		74	2"	2 1/2"	583.0
ILBH564D10	66.41	54.7	43510	50	-	338.9	86.6	48000	25600	6400	2000	560 x4		74	2"	2 1/2"	642.0
ILBH565B10	65.47	54.05	56910	53	-	302.1	77.2	40000	20000	8000	2500	560 x5		75	2 1/2"	3"	639.5
ILBH565C10	75.48	62.01	55630	52	-	362.6	92.7	48000	24000	8000	2500	560 x5		75	2 1/2"	3"	675.5
ILBH565D10	84.55	69.02	54340	51	-	423.0	108.1	60000	32000	8000	2500	560 x5		75	2 1/2"	3"	751.5
ILBH631B10	16.57	13.9	16810	56	112	77.34	19.8	9600	4800	1600	550	630 x1	P=2600W I=4.8A n=1310min-1 V=400V 4 poles	75	1 1/2"	2"	180.5
ILBH631C10	19.26	16.07	16560	55	110	108.3	27.7	12000	5600	1600	550	630 x1		75	1 1/2"	2"	208.5
ILBH631D10	21.71	18.03	16300	55	110	108.3	27.7	14400	7200	1600	550	630 x1		75	1 1/2"	2"	208.5
ILBH632B10	35.22	29.11	33530	60	120	152.4	38.9	19200	9600	3200	1100	630 x2		78	1 1/2"	2"	371.0
ILBH632C10	40.9	33.64	33000	60	120	182.9	46.7	24000	11200	3200	1100	630 x2		78	1 1/2"	2"	389.0
ILBH632D10	46.08	37.73	32470	59	118	213.4	54.5	28800	14400	3200	1100	630 x2		78	1 1/2"	2"	427.0
ILBH633B10	51.63	43.05	50280	63	126	227.5	58.1	28800	14400	4800	1650	630 x3		80	2"	2 1/2"	554.5
ILBH633C10	59.94	49.73	49490	62	124	273.0	69.8	36000	16800	4800	1650	630 x3		80	2"	2 1/2"	582.5
ILBH633D10	67.54	55.76	48690	61	122	318.5	81.4	43200	21600	4800	1650	630 x3		80	2"	2 1/2"	639.5
ILBH634B10	70.19	58.07	67000	65	130	302.6	77.3	38400	19200	6400	2200	630 x4		81	2 1/2"	3"	733.0
ILBH634C10	81.5	67.11	65930	64	128	363.1	92.8	48000	22400	6400	2200	630 x4		81	2 1/2"	3"	771.0
ILBH634D10	91.82	75.27	64860	63	126	423.6	108.3	57600	28800	6400	2200	630 x4		81	2 1/2"	3"	847.0
ILBH635B10	86.66	72.11	83750	66	132	377.7	96.5	48000	24000	8000	2750	630 x5		82	2 1/2"	3"	897.5
ILBH635C10	100.6	83.3	82420	65	130	453.2	115.8	60000	28000	8000	2750	630 x5		82	2 1/2"	3"	943.5
ILBH635D10	113.4	93.4	81080	65	130	528.8	135.1	72000	36000	8000	2750	630 x5		82	2 1/2"	3"	1039
ILBH801B10	27.83	23.30	31650	57	-	110.8	28.3	15000	8000	3000	700	800 x1	P=5100W I=8.8A n=1270min-1 V=400V 4 poles	81	1"	1 1/2"	259.0
ILBH801C10	32.38	26.99	30890	56	-	133.0	34.0	18000	9000	3000	700	800 x1		81	1"	1 1/2"	272.0
ILBH801D10	36.55	30.34	30160	56	-	155.2	39.6	21000	11000	3000	700	800 x1		81	1"	1 1/2"	299.0
ILBH802B10	55.19	46.25	63150	63	-	219.0	55.9	28500	15200	5700	1400	800 x2		84	2"	2 1/2"	532.0
ILBH802C10	64.21	53.58	61620	62	-	262.7	67.1	34200	17100	5700	1400	800 x2		84	2"	2 1/2"	559.0
ILBH802D10	72.48	60.23	60140	61	-	306.5	78.3	39900	20900	5700	1400	800 x2		84	2"	2 1/2"	614.0
ILBH803B10	82.55	69.21	94660	66	-	327.1	83.6	43500	23200	8700	2100	800 x3		86	2 1/2"	3"	797.0
ILBH803C10	96.04	80.17	92350	65	-	392.5	100.3	52200	26100	8700	2100	800 x3		86	2 1/2"	3"	837.0
ILBH803D10	111.4	91.35	90010	64	-	457.9	117.0	60900	31900	8700	2100	800 x3		86	2 1/2"	3"	920.0
ILBH804B10	112.5	93.47	126100	68	-	435.2	111.2	58500	31200	11700	2800	800 x4		87	2 1/2"	3"	1053
ILBH804C10	130.9	108.3	123000	67	-	522.2	133.4	70200	35100	11700	2800	800 x4		87	2 1/2"	3"	1108
ILBH804D10	147.7	121.8	120000	66	-	609.3	155.7	81900	42900	11700	2800	800 x4		87	2 1/2"	3"	1218

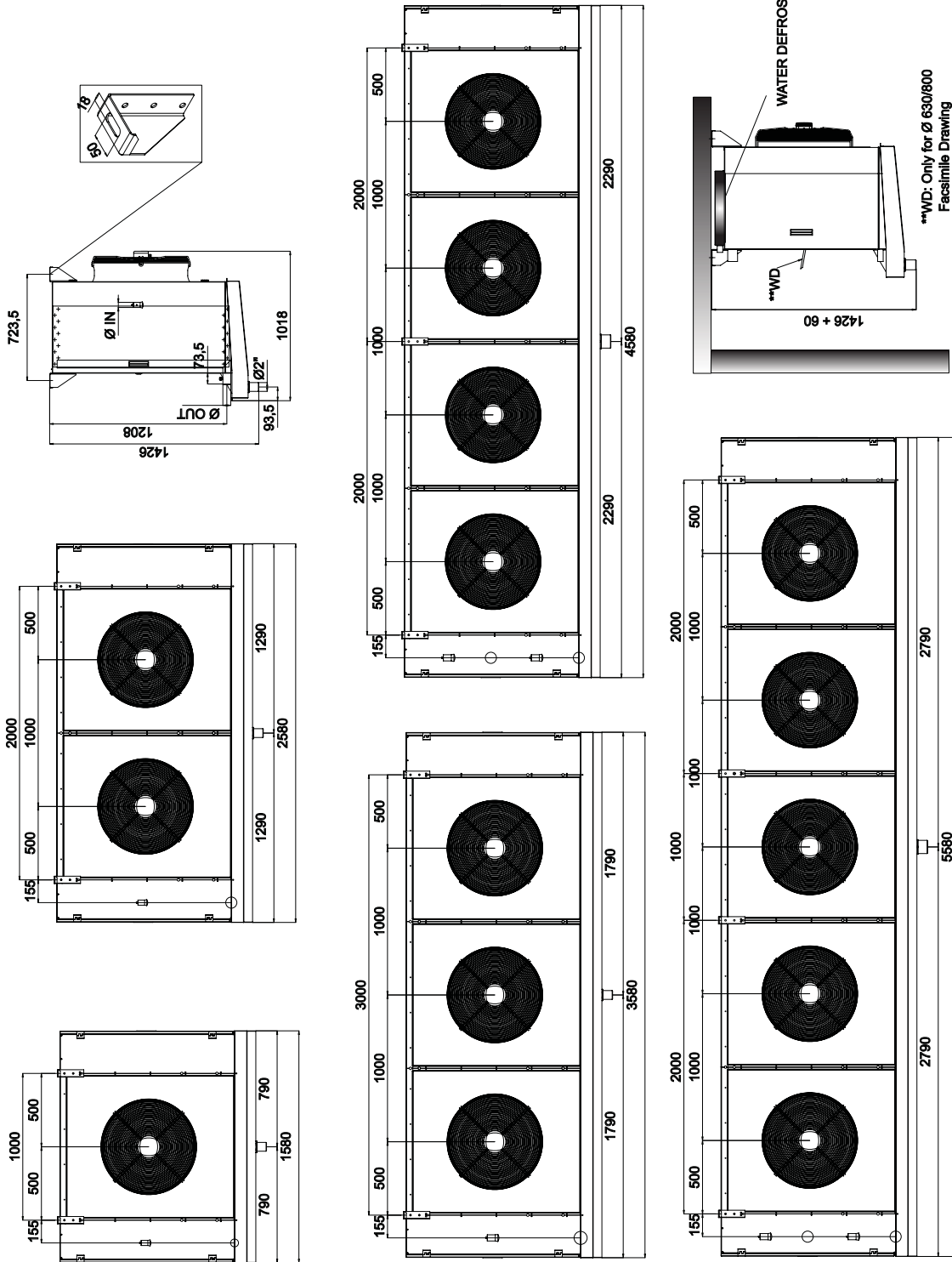
AirMax II

Drawings

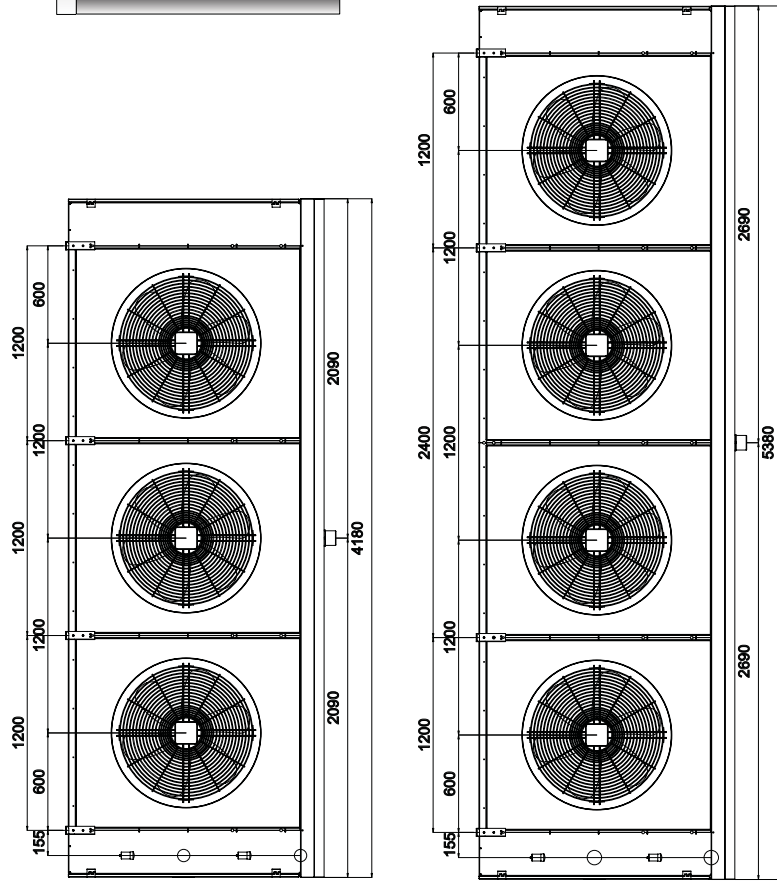
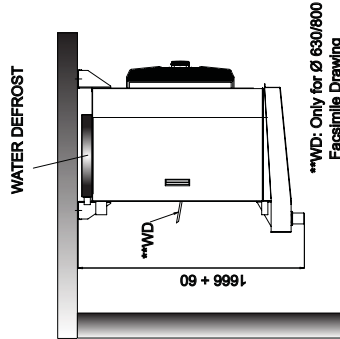
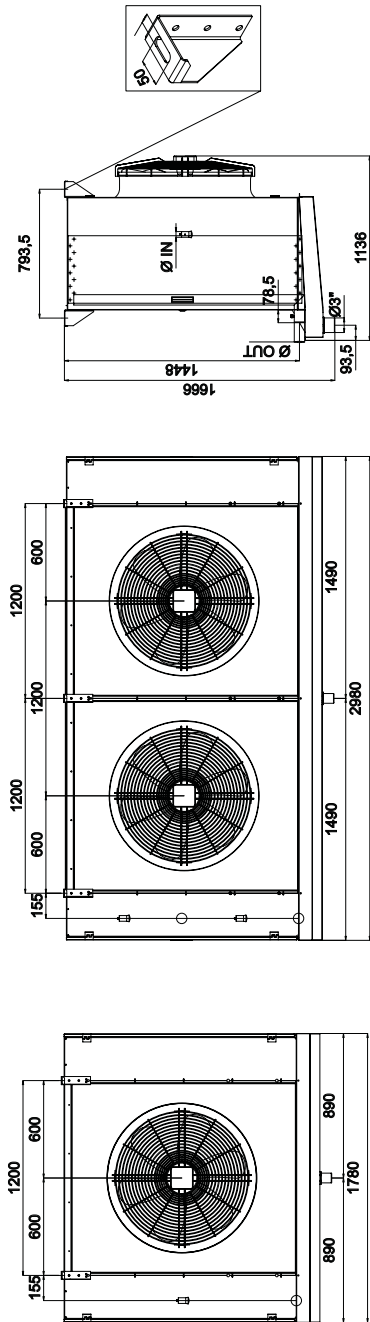
DX - 5000

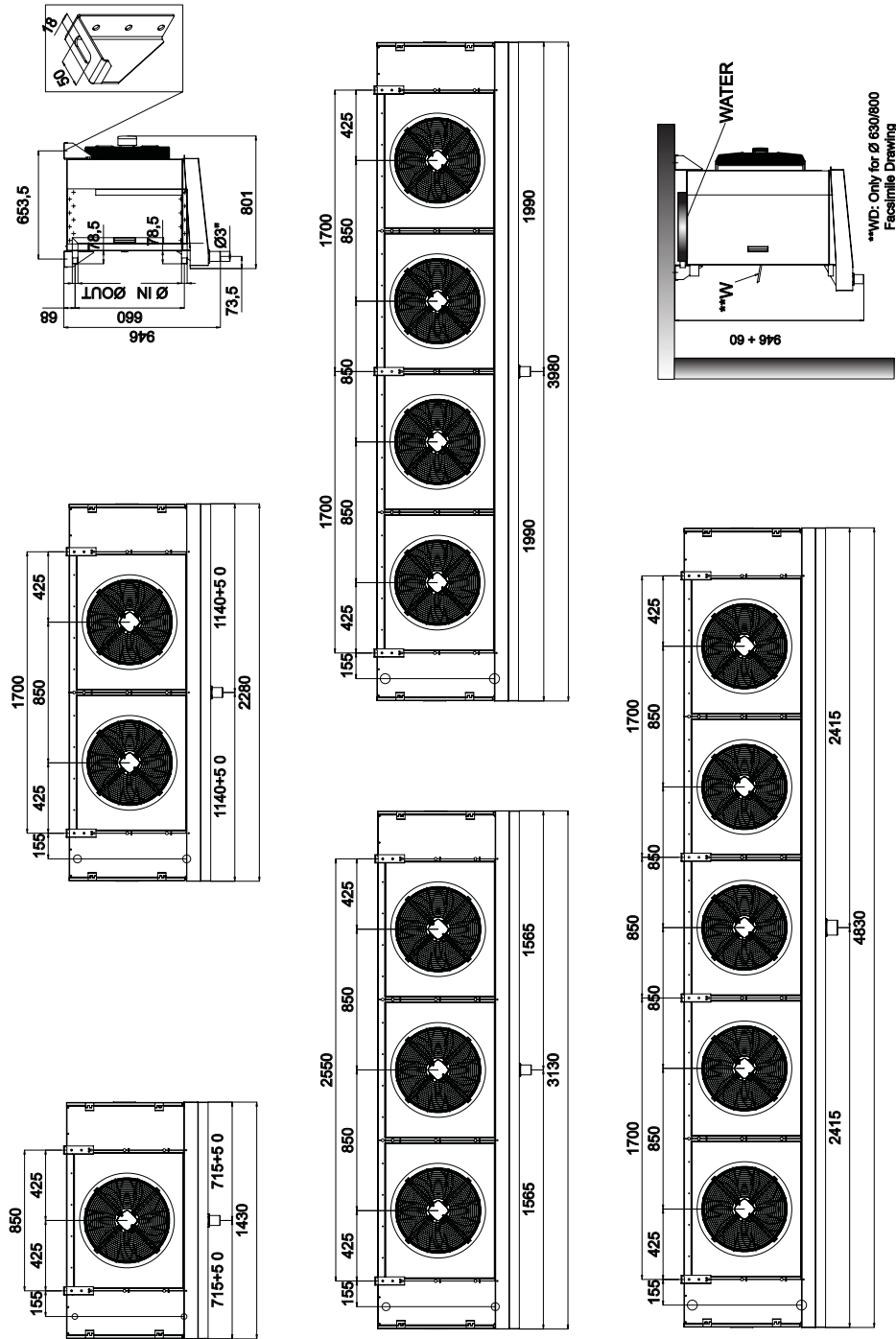


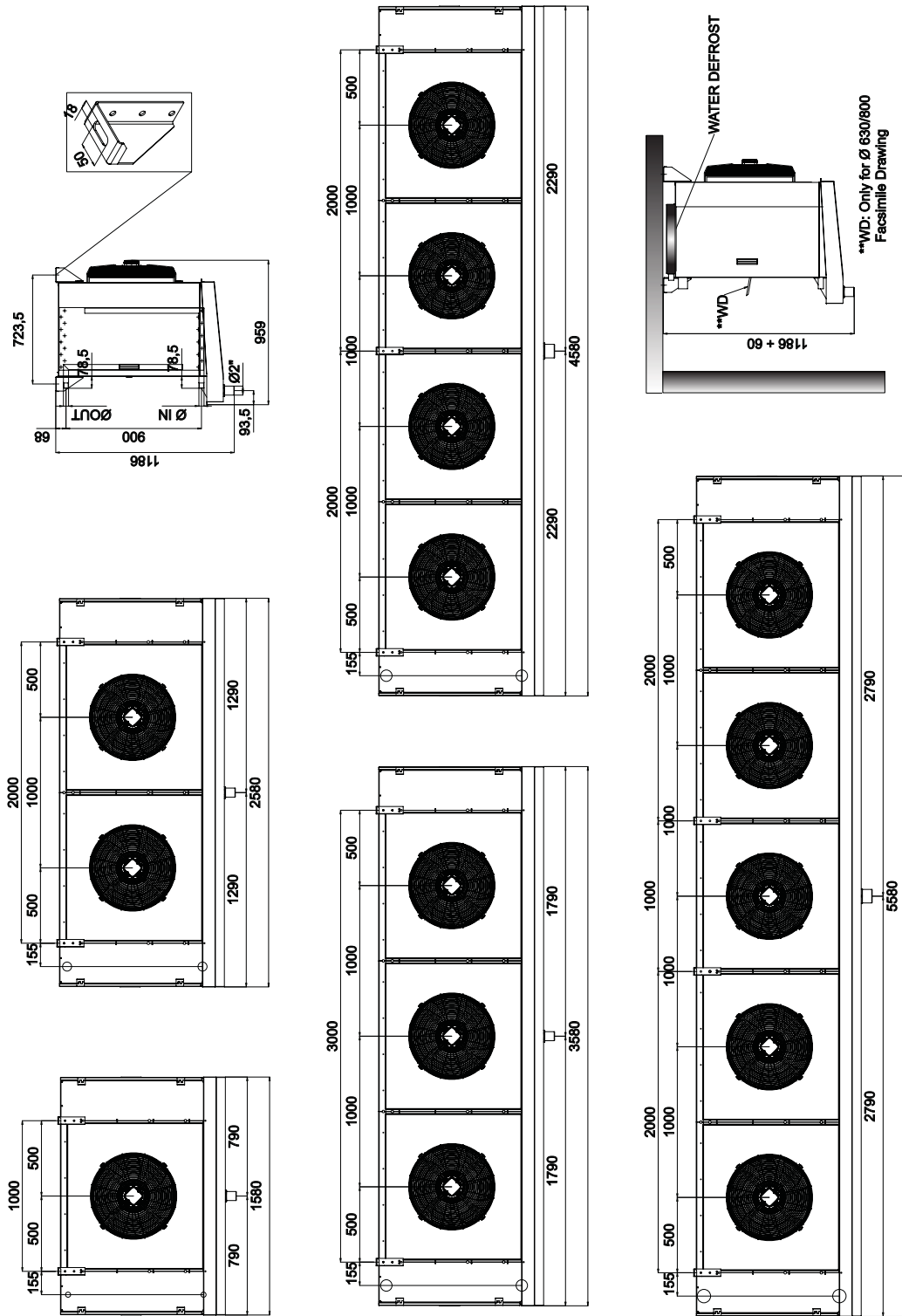


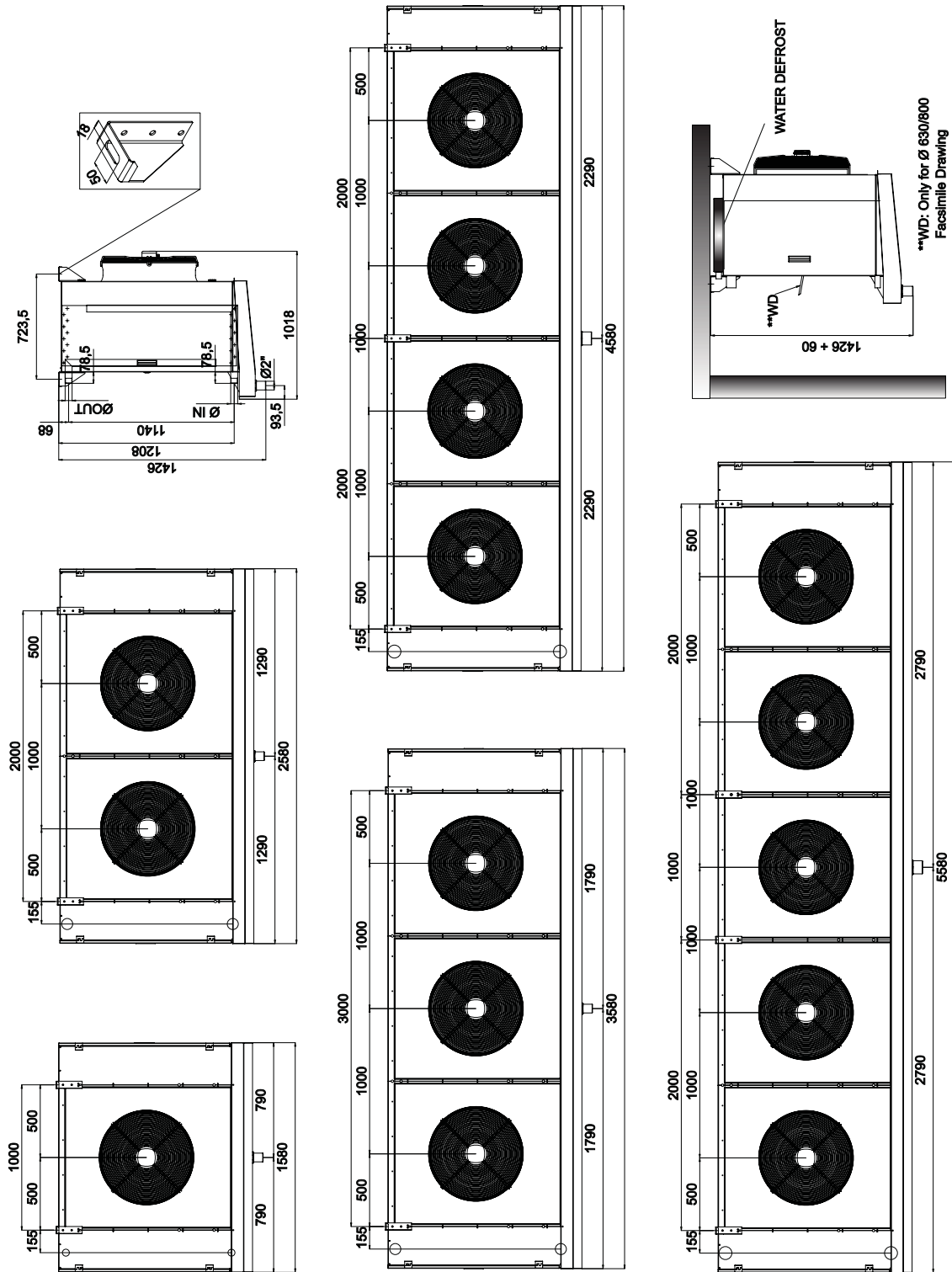


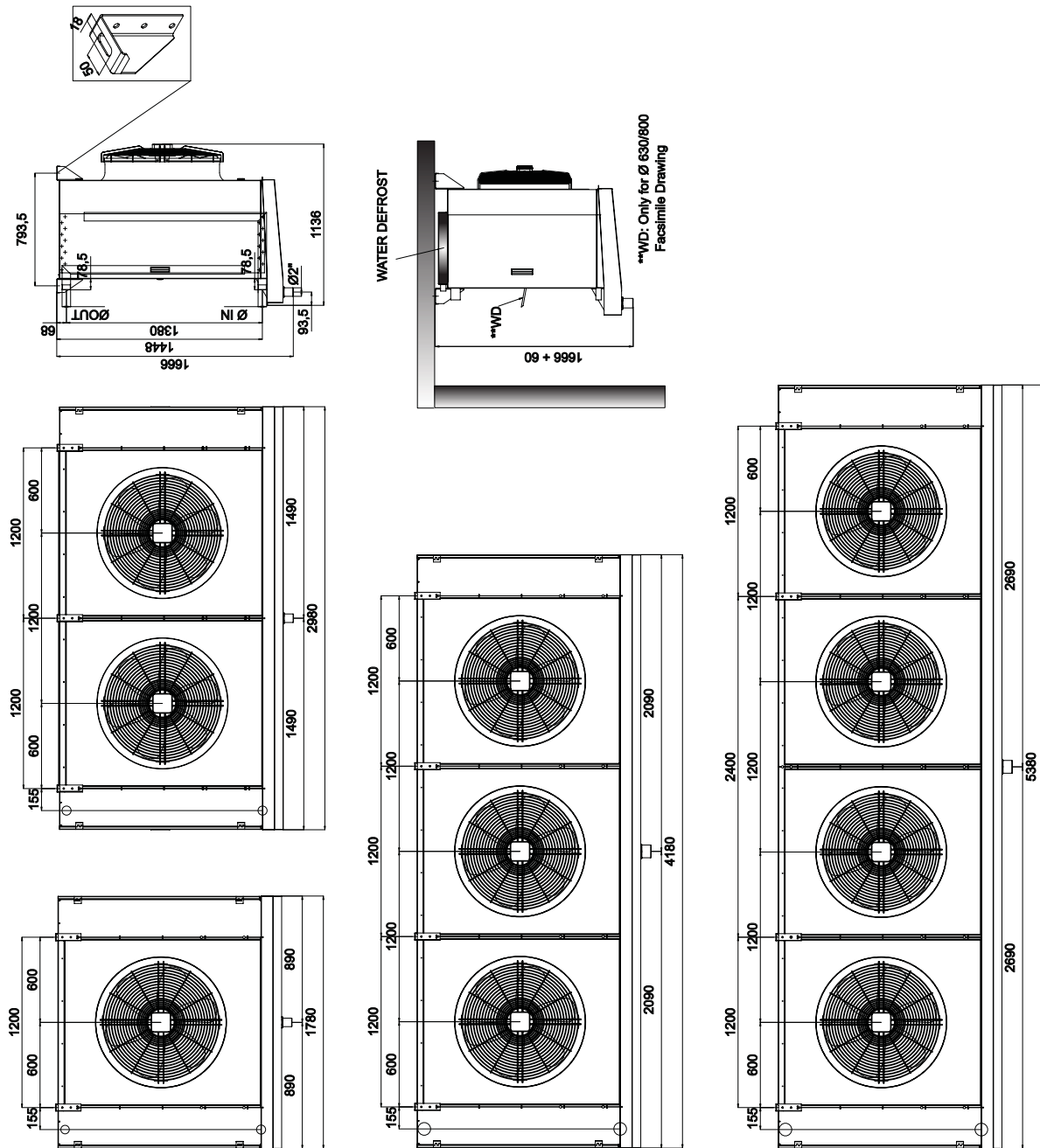
**WD: Only for Ø 630/800 Facsimile Drawing

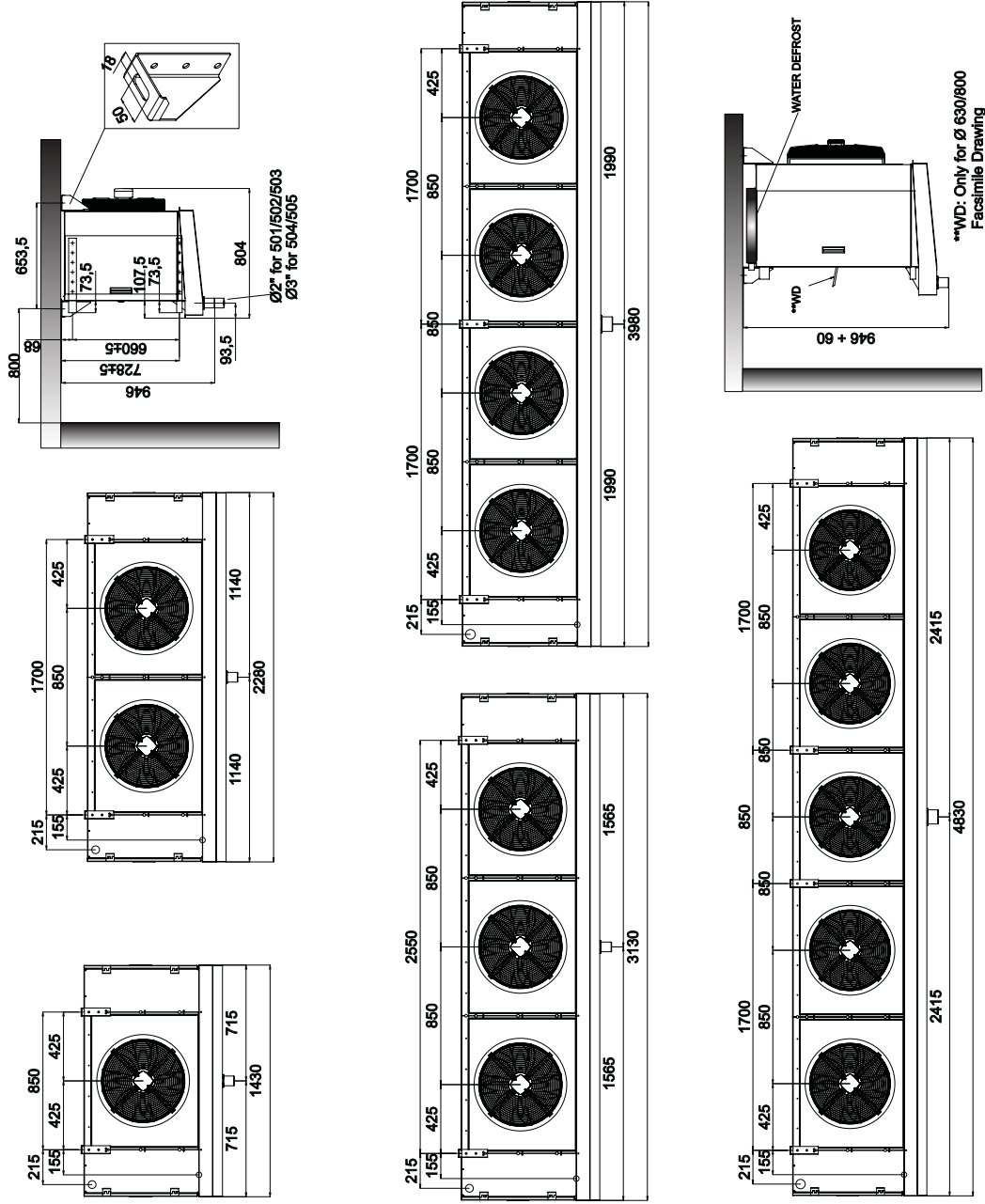




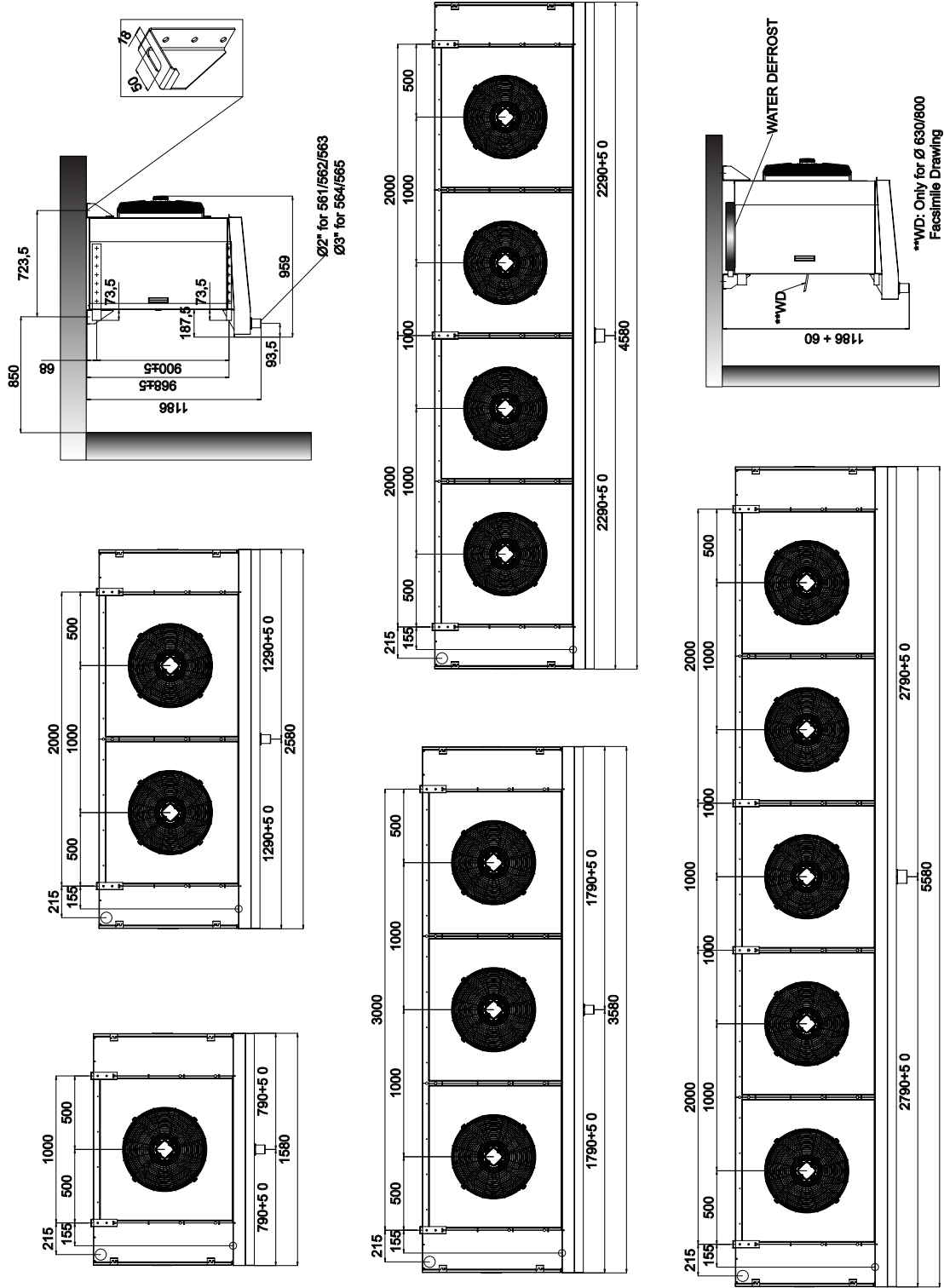


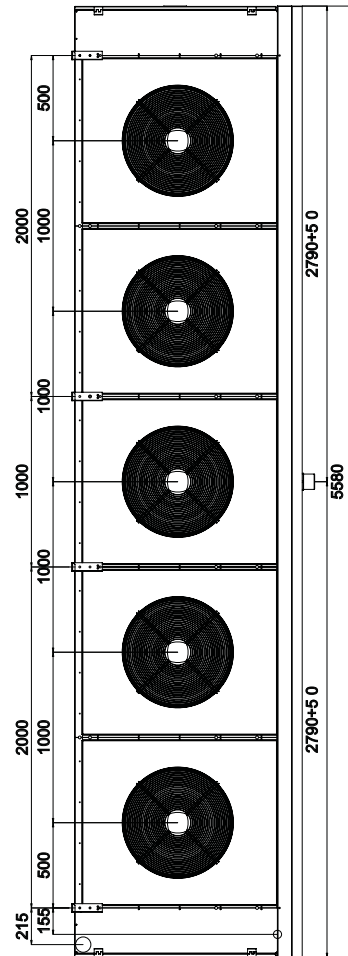
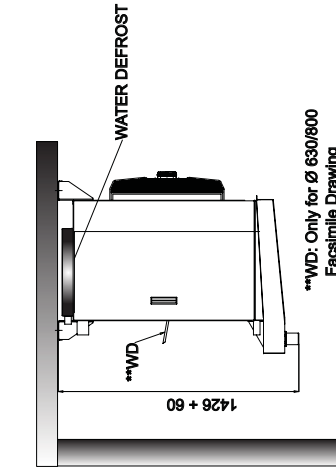
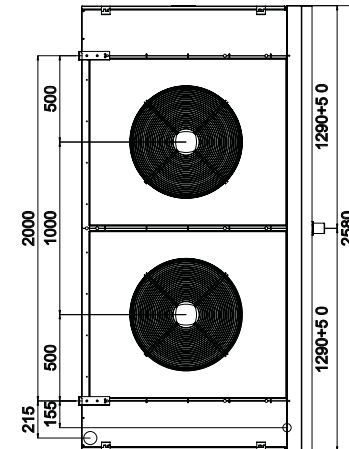
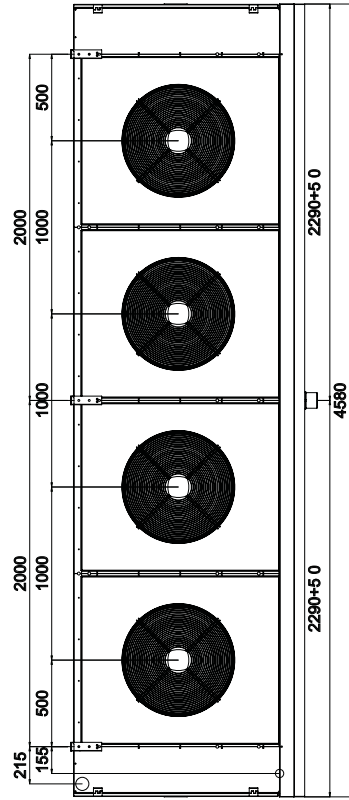
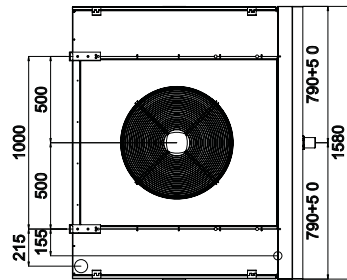
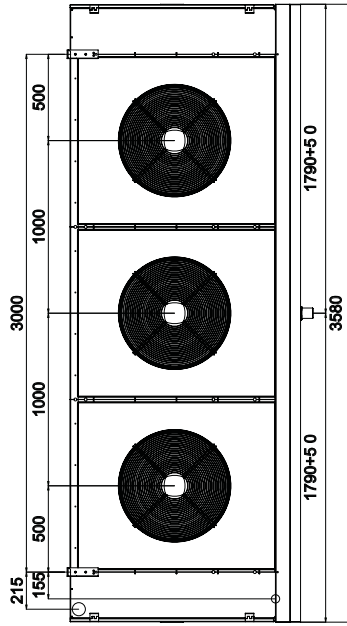
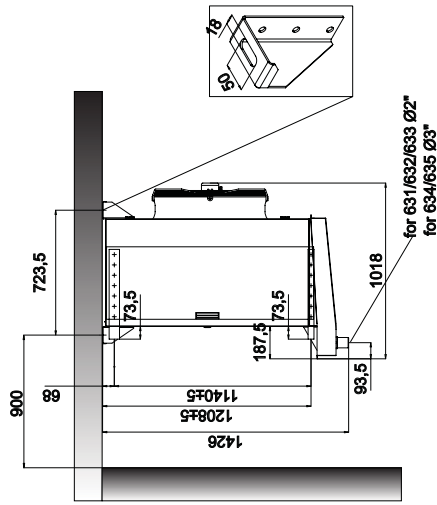


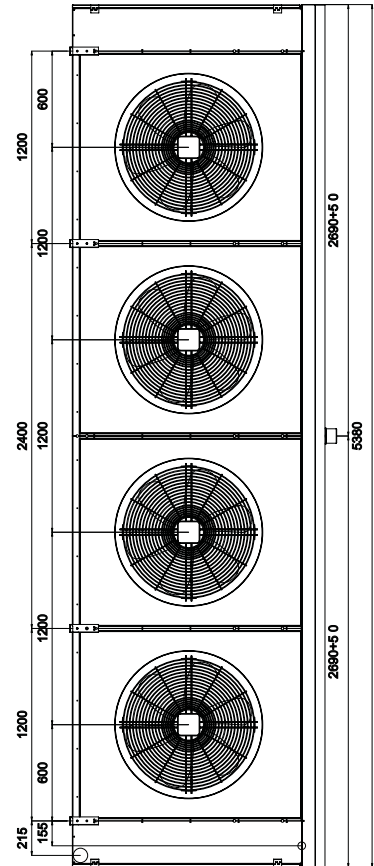
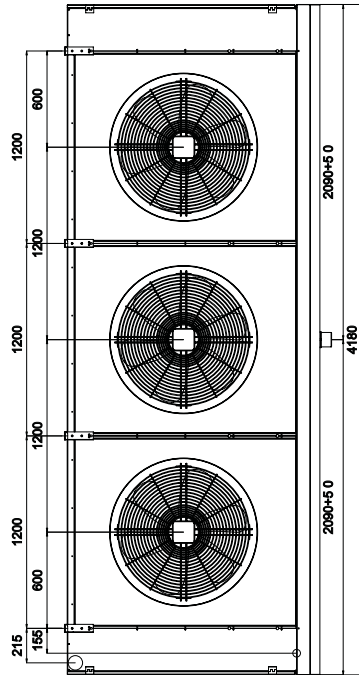
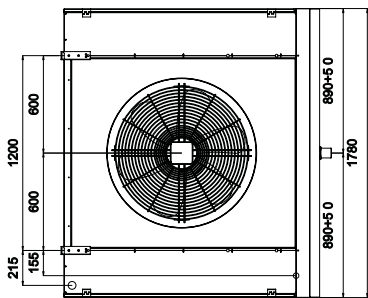
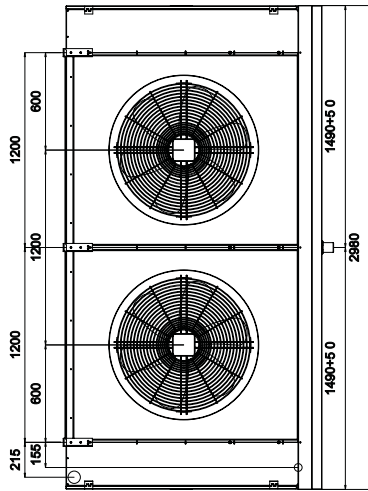
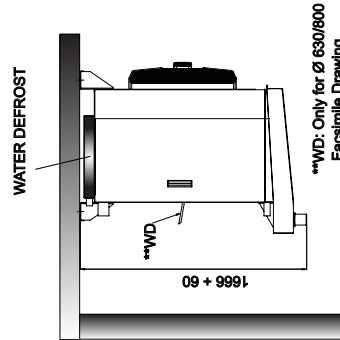
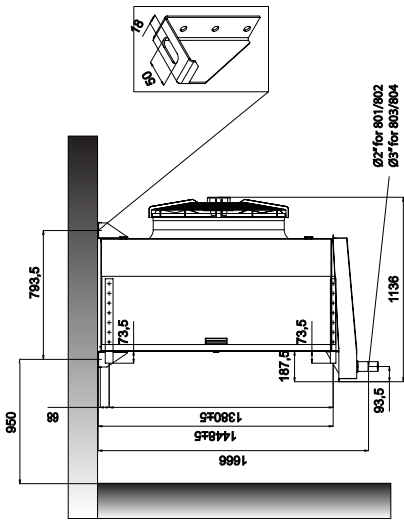




**WD: Only for Ø 630/800 Facsimile Drawing







AirMaxII

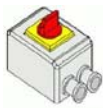
Options

Fan prewired to common Terminal Box

Fan motor prewired to common terminal box junction box, IP55, in painted galvanized steel material. See Electrical Data page.

Model:
ALL APPLICATIONS
All Models

Local Safety switch wired



Local safety switch and cabling for each electric fan motor. Plastic covering box, IP66, nominal current 16A – 3 phases, insulated voltage 600V. Reference and standard CE/UL/CSA. Per each.

Model:
ALL APPLICATIONS
All Models

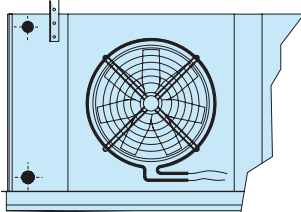
Fan motors



6 poles, 230V/1Ph - 50/60Hz
4 poles, 230V/1Ph - 50/60Hz
6 poles, 400 V/3ph - 50Hz

Model:
ALL APPLICATIONS
230V/1Ph for Ø 500
400V/3Ph for Ø 560/630/800

Fan ring heater (FRH)

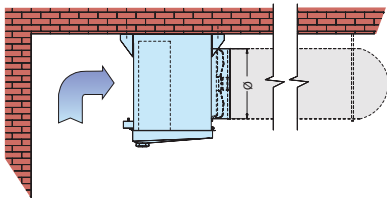


Application:
To avoid the freezing-up of the fan blades at the collar under extremely humid conditions during defrost in cooling or freezing rooms.

Supply conditions:
Electric heater made in SSI, fixing spring stainless steel, connection box.

Model:
ALL APPLICATIONS
All Models

Air sock adapter ring



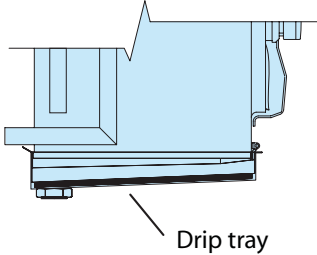



Applications: flower and fruit storage areas, supermarket, bakeries, meat and meat-processing operations. Price per unit cooler.

Benefits: Equal cooling effect without draught Equal temperature distribution Comfort in cold working areas.

The sock reduces the airflow and capacity. Please contact Alfa Laval for design and unit section.

Model:
ALL APPLICATIONS
All Models

AlfaStreamer			
		<p>Increase of the axial air flow speed by deviation of centrifugal and circular flow components. Increased air throw for refrigeration applications. Applications: cold stores, working room</p>	<p>Model: ALL APPLICATIONS Ø 500 mm Ø 630 mm Ø 800 mm (for 6poles)</p>
Insulated drip tray			
 <p>Drip tray</p>	<p>Construction: Sandwich manufactured with two aluminium plate and 12 mm Polyethylene insulation in between. Features: The insulation avoids water condensing on the bottom side of the drip-tray and reduces the transfer of the defrost heat into the cold room. It can be combined with Electric defrost or Hg defrost. Applications: Room temperatures below -10°C, Food processing room.</p>	<p>Model: ALL APPLICATIONS All Models</p>	
Cable electrical heater			
	<p>Applications: During the defrosting time is recommend to have the drain pipeline heated to prevent the ice formation in the pipes. The flexible electrical heater can be easily placed inside of the pipe Power: 70W. Voltage: 230V</p>	<p>Model: ALL APPLICATIONS All Models</p>	
Cabinet all parts of stainless steel			
	<p>External casework component in stainless steel AISI 304. Application Use: Corrosion Preventive in Miscellaneous page.</p>	<p>Model: ALL APPLICATIONS All Models</p>	
Coil Treatment/Material			
	<p>Pre-coated fins: Epoxy pre-painted aluminium fins. Cataphoresis treatment: Electrolytic process where the coil is put in a paint bath where the coil is acting as a cathode and it is covered completely by an epoxidic paint that gives a very good protection against corrosion. Recommended for alkali or salty atmospheres. Application Use: Corrosion Preventive in Miscellaneous page.</p>	<p>Model: ALL APPLICATIONS All Models</p>	
Special fin spacing			
	<p>Different fin spacings are available for the series GL, RL,BL. Air flow and air throw are influenced by the variations of it.</p>	<p>Model: ALL APPLICATIONS All Models</p>	
Carbon Steel Connection			
	<p>Additional end terminal connection for stainless steel headers.</p>	<p>Model: ALL APPLICATIONS NH₃</p>	
120° Elbow Reducer			
		<p>Model: ALL APPLICATIONS All Models</p>	

Floor mounting support		
	<p>Feet in hot dip galvanized steel</p>	<p>Model: ALL APPLICATIONS All Models</p>

AirMaxII

Electric Heater

ALL SERIES

Function

The elements are designed to operate in the refrigeration field with high moisture rate.

Special care is taken in selecting the type of power supply cables and insulation. Benefit less stream (defrost easy mounting)

General data

Model	Electrical defrost - DX			
	Coil		Drip Tray	
	N° Heater	Total W	N° Heater	Total W
501A	6	4200	2	1400
501C	9	6300	2	1400
501E	12	8400	2	1400
502A	6	8400	2	2800
502C	9	12600	2	2800
502E	12	16800	2	2800
503A	6	12600	2	4200
503C	9	18900	2	4200
503E	12	25200	2	4200
504A	6	16200	2	5400
504C	9	24300	2	5400
504E	12	32400	2	5400
505A	6	20400	2	6800
505C	9	30600	2	6800
505E	12	40800	2	6800
561C	12	9600	2	1600
561E	15	12000	2	1600
561G	18	14400	2	1600
562C	12	19200	2	3200
562E	15	24000	2	3200
562G	18	28800	2	3200
563C	12	28800	2	4800
563E	15	36000	2	4800
563G	18	43200	2	4800
564C	12	38400	2	6400
564E	15	48000	2	6400
564G	18	57600	2	6400
565C	12	48000	2	8000
565E	15	60000	2	8000
565G	18	72000	2	8000
631C	12	9600	2	1600
631E	18	14400	2	1600
631G	21	16800	2	1600
632C	12	19200	2	3200
632E	18	28800	2	3200
632G	21	33600	2	3200
633C	12	28800	2	4800
633E	18	43200	2	4800
633G	21	50400	2	4800
634C	12	38400	2	6400
634E	18	57600	2	6400
634G	21	67200	2	6400
635C	12	48000	2	8000
635E	18	72000	2	8000
635G	21	84000	2	8000

Model	Electrical defrost - DX			
	Coil		Drip Tray	
	N° Heater	Total W	N° Heater	Total W
801C	18	18000	3	3000
801E	21	21000	3	3000
801G	21	21000	3	3000
802C	18	34200	3	5700
802E	21	39900	3	5700
802G	21	39900	3	5700
803C	18	52200	3	8700
803E	21	60900	3	8700
803G	21	60900	3	8700
804C	18	70200	3	11700
804E	21	81900	3	11700
804G	21	81900	3	11700

Model	Electrical defrost - W			
	Coil		Drip Tray	
	N° Heater	Total W	N° Heater	Total W
501A	6	4200	2	1400
501C	9	6300	2	1400
501D	12	8400	2	1400
501E	12	8400	2	1400
502A	6	8400	2	2800
502C	9	12600	2	2800
502D	12	16800	2	2800
502E	12	16800	2	2800
503A	6	12600	2	4200
503C	9	18900	2	4200
503D	12	25200	2	4200
503E	12	25200	2	4200
504A	6	16200	2	5400
504C	9	24300	2	5400
504D	12	32400	2	5400
504E	12	32400	2	5400
505A	6	20400	2	6800
505C	9	30600	2	6800
505D	12	40800	2	6800
505E	12	40800	2	6800
561C	12	9600	2	1600
561D	15	12000	2	1600
561E	15	12000	2	1600
561F	18	14400	2	1600
561G	18	14400	2	1600
562C	12	19200	2	3200
562D	15	24000	2	3200
562E	15	24000	2	3200
562F	18	28800	2	3200
562G	18	28800	2	3200
563C	12	28800	2	4800
563D	15	36000	2	4800
563E	15	36000	2	4800
563F	18	43200	2	4800
563G	18	43200	2	4800
564C	12	38400	2	6400
564D	15	48000	2	6400
564E	15	48000	2	6400
564F	18	57600	2	6400
564G	18	57600	2	6400
565C	12	48000	2	8000
565D	15	60000	2	8000
565E	15	60000	2	8000
565F	18	72000	2	8000
565G	18	72000	2	8000
631C	15	12000	2	1600
631D	18	14400	2	1600
631E	18	14400	2	1600
631F	21	16800	2	1600
631G	21	16800	2	1600
632C	15	24000	2	3200
632D	18	28800	2	3200
632E	18	28800	2	3200
632F	21	33600	2	3200
632G	21	33600	2	3200
633C	15	36000	2	4800
633D	18	43200	2	4800
633E	18	43200	2	4800
633F	21	50400	2	4800
633G	21	50400	2	4800
634C	15	48000	2	6400
634D	18	57600	2	6400
634E	18	57600	2	6400
634F	21	67200	2	6400
634G	21	67200	2	6400
635C	15	60000	2	8000
635D	18	72000	2	8000
635E	18	72000	2	8000
635F	21	84000	2	8000
635G	21	84000	2	8000

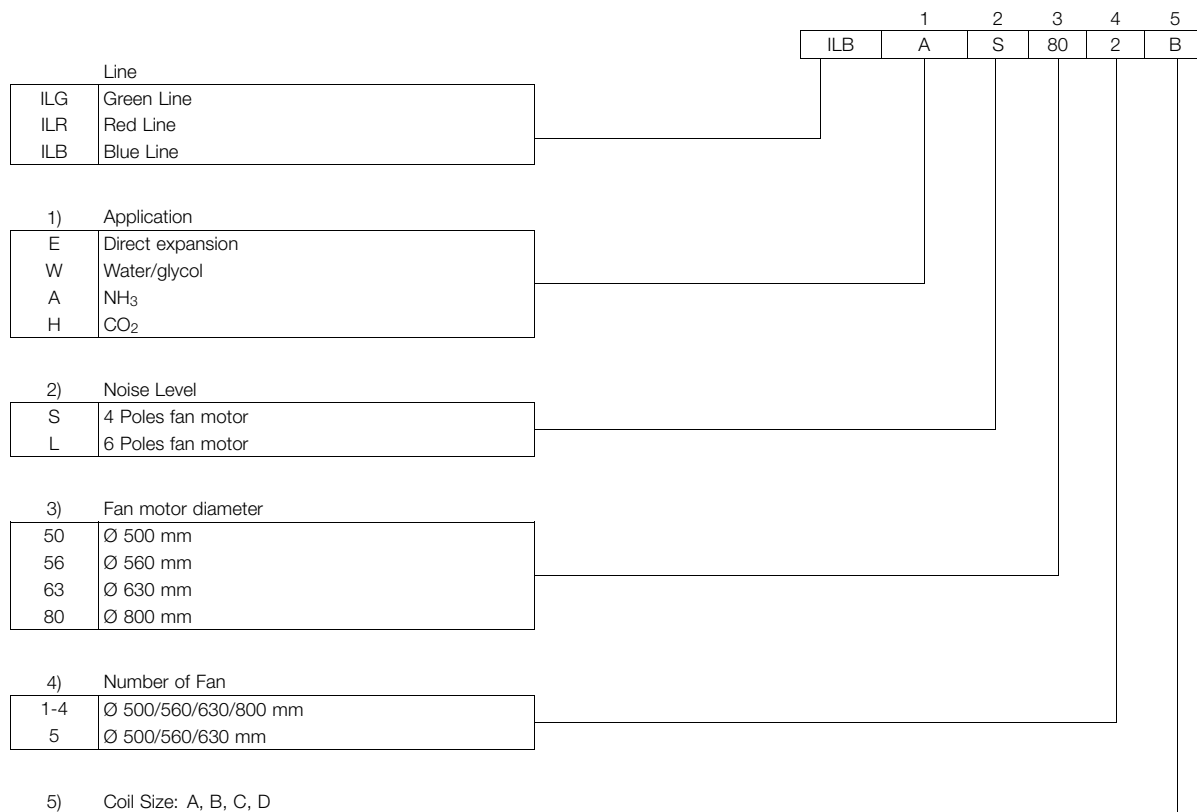
Model	Electrical defrost - W			
	Coil		Drip Tray	
	N° Heater	Total W	N° Heater	Total W
801C	18	18000	3	3000
801D	21	21000	3	3000
801E	21	21000	3	3000
801F	21	21000	3	3000
801G	21	21000	3	3000
802C	18	34200	3	5700
802D	21	39900	3	5700
802E	21	39900	3	5700
802F	21	39900	3	5700
802G	21	39900	3	5700
803C	18	52200	3	8700
803D	21	60900	3	8700
803E	21	60900	3	8700
803F	21	60900	3	8700
803G	21	60900	3	8700
804C	18	70200	3	11700
804D	21	81900	3	11700
804E	21	81900	3	11700
804F	21	81900	3	11700
804G	21	81900	3	11700

Model	Electrical defrost - NH3/HP(CO2)			
	Coil		Drip tray	
	N° Heater	Total W	N° Heater	Total W
501A	8	5600	2	1400
501B	9	6300	2	1400
501C	10	7000	2	1400
502A	8	11200	2	2800
502B	9	12600	2	2800
502C	10	14000	2	2800
503A	8	16800	2	4200
503B	9	18900	2	4200
503C	10	21000	2	4200
504A	8	21600	2	5400
504B	9	24300	2	5400
504C	10	27000	2	5400
505A	8	27200	2	6800
505B	9	30600	2	6800
505C	10	34000	2	6800
561B	10	8000	2	1600
561C	12	9600	2	1600
561D	15	12000	2	1600
562B	10	16000	2	3200
562C	12	19200	2	3200
562D	15	24000	2	3200
563B	10	24000	2	4800
563C	12	28800	2	4800
563D	15	36000	2	4800
564B	10	32000	2	6400
564C	12	38400	2	6400
564D	15	48000	2	6400
565B	10	40000	2	8000
565C	12	48000	2	8000
565D	15	60000	2	8000
631B	12	9600	2	1600
631C	15	12000	2	1600
631D	18	14400	2	1600
632B	12	19200	2	3200
632C	15	24000	2	3200
632D	18	28800	2	3200
633B	12	28800	2	4800
633C	15	36000	2	4800
633D	18	43200	2	4800
634B	12	38400	2	6400
634C	15	48000	2	6400
634D	18	57600	2	6400
635B	12	48000	2	8000
635C	15	60000	2	8000
635D	18	72000	2	8000

Model	Electrical defrost - NH3/HP(CO2)			
	Coil		Drip tray	
	N° Heater	Total W	N° Heater	Total W
801B	15	15000	3	3000
801C	18	18000	3	3000
801D	21	21000	3	3000
802B	15	28500	3	5700
802C	18	34200	3	5700
802D	21	39900	3	5700
803B	15	43500	3	8700
803C	18	52200	3	8700
803D	21	60900	3	8700
804B	15	58500	3	11700
804C	18	70200	3	11700
804D	21	81900	3	11700

AirMaxII

Code description



General AlfaSelect Air Legend

Description 1		Description 2	
D	D fan cabling (three phase)	BSFT	Basic Switch Board + Speed Control Temp. + Signal
Y	Y fan cabling (three phase)	BI	Basic Switch Board + Frequency Converter (Inverter)
D/Y	D/Y fan cabling (three phase), single speed fan motor	BSI	Basic Switch Board + Frequency Converter (Inverter) + Signal
S	Single phase	C	Switch Board + Cooling fan
P	Packing = pallet	R	Switch Board + Resistor
CR	Packing = crate	F	Switch Board + Cooling fan + Resistor
BO	Packing = box	PT	Ammonia pump top
Feet	Feet mounted	PB	Ammonia pump bottom
SW	Safety Switch	AL	Aluminium casing
CB	Terminal Box	SS	Stainless Steel casing
B	Basic Switch Board	AP	Prepainted Aluminium casing
BS	Basic Switch Board + Signal	PL	Plastic casing
BP	Basic Switch Board + Step Control Pressure	E	Electrical defrost
BT	Basic Switch Board + Step Control Temperature	LE	Low Electrical defrost
BSP	Basic Switch Board + Step Control Pressure + Signal	A	Air Defrost
BST	Basic Switch Board + Step Control Temp. + Signal	HG	Hot Gas Defrost
BFP	Basic Switch Board + Speed Control Pressure	HG+E	Hot Gas Defr. + Elect. Defr. on drip tray
BFT	Basic Switch Board + Speed Control Temperature	W	Water Defrost
BSFP	Basic Switch Board + Speed Control Pres. + Signal	W+E	Water Defrost + Elect. Defr. on drip tray
		AL	Aluminium fin
		CU	Copper fin
		PR	Precoated fin
		SS	Stainless steel tube
		TH	Thermoguard treatment
		CF	Cataphoresis treatment
		SC	Sub-cooling circuit
		KW	Spray water kit
		FL	Flanges
		FH	Fan ring heater
		IS	Insulated Drip Tray
		RH	Reheating coil
		SR	Air socket adapter ring
		CW	Air throw fan cowl
		ER	120° elbow reducer
		HN	Highed fan cowl

Note: valid for all the product range