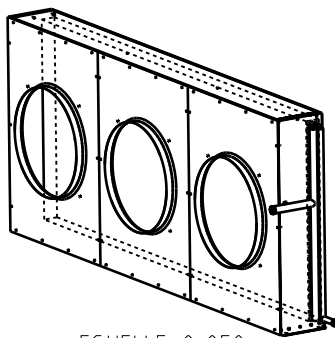
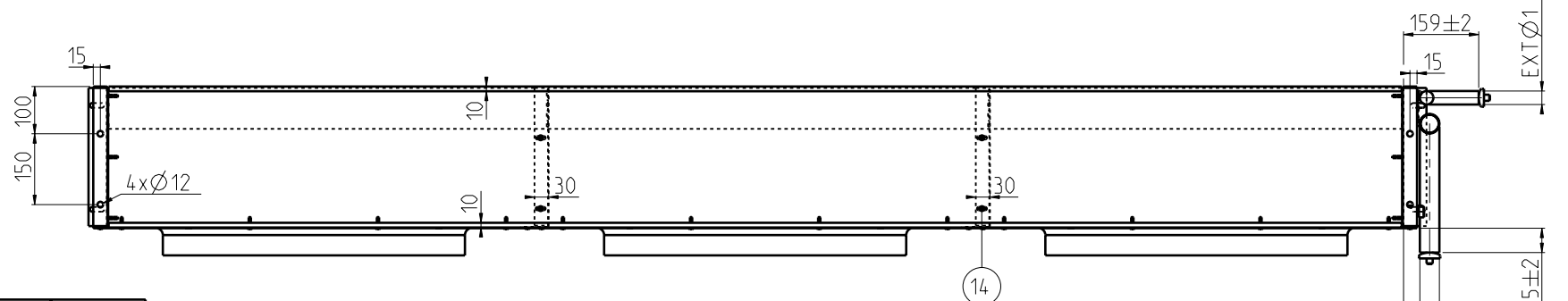


LUVATA
C3S3 SPR124
BPA15K710



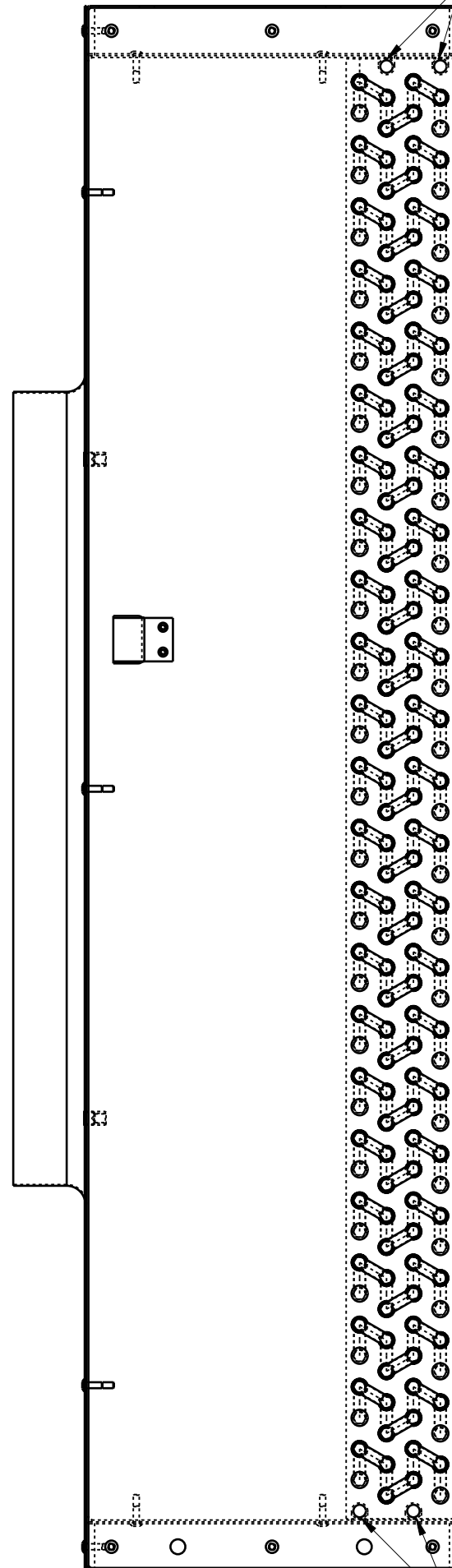
Coil filled up with dry air 0.2 bar.
Vymenik plnen suchym vzduchem 0.2 bar.

Idx	Qty	Description	Material	Part Num.
15	2	RIVET Ø4	Steel/Steel	VS4040660
14	62	MONOBOLT Ø5	Steel/Steel	VS4007004
13	12	EURO HEXERT M8 Steel	Steel	VS2280308
12	3	FAN PLATE	Steel Galva. 15/10	HBCRZ2752
11	69	Return bend (kolinko) R : 25	Tube Cu Ø3/8"	C0101A134
10	1	Top plate	Steel galva. 15/10	HBCRZ2750
9	2	Intermediate plate	Steel galva. 15/10	PGCRZ4946
8	1	End plates	Steel galva. 15/10	PGCRZ4945
7	1	End plates	Steel galva. 15/10	PGCRZ4944
6	1	Bottom plate	Steel galva. 15/10	HBCRZ2751
5	1	Equerre support	CUIVRE	HBMSB4233
4	1	Outlet header	Copper Ø 1 1/8	COCRZ4097
3	1	Inlet header	Copper Ø 1 5/8	COCRZ4096
2	92	Epingle Ø : 25	Tube Cu Ø3/8" smooth/hladka	
1	292	Fin left 3S3 4N 47T	ALU	

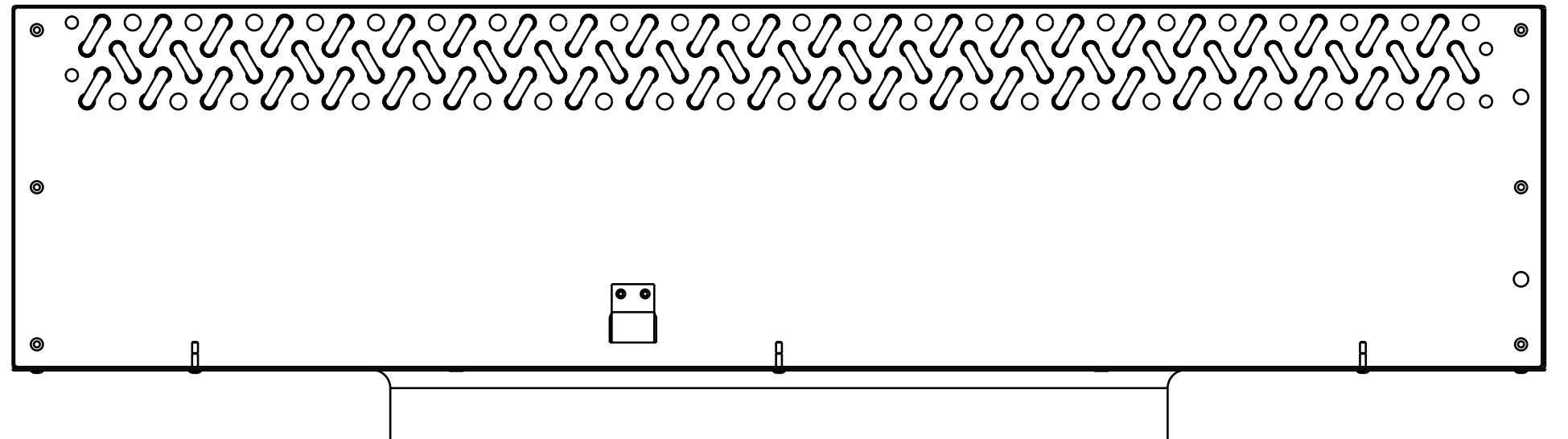
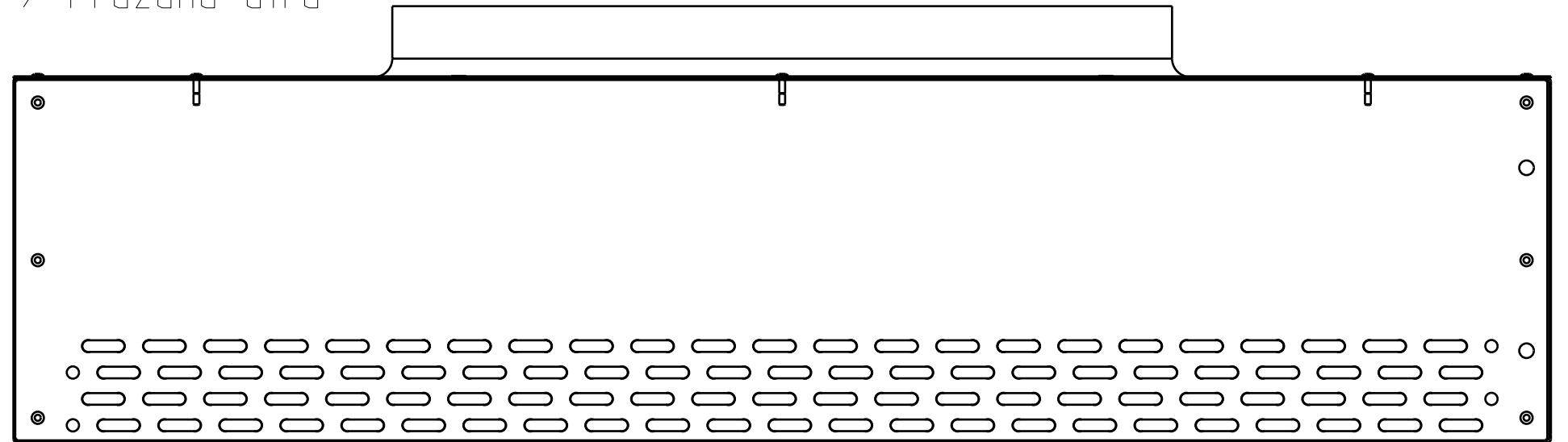
A	25.1.07	VPI	APO	MR--: Change of Support / Zmena supportu
Index	Date	Draft	Checked	Modification
	27.9.06			
Drawn:	VPI	Reference Number:	SPR C3S3 SPR124	
Checked:	AVO	Description:	C3S3G044727402120231ALDG3A--P-	
		LUVATA		Protection / Material:
		LUVATA Czech s.r.o. Vrzska 143, 153 00 Prague 16 Radotin Czech republic tel: +420 257 811 129		Part Number: BPA15K710
		Scale:	0.2	Revision A
		Format:	A1	Sheet/Sheets: 1/2

This document is the property of LUVATA Czech s.r.o. It can not be used, copy or submit without authorisation.

Empty hole / Prazdna dira



Empty hole / Prazdna dira



A-B

Date: 27.9.06	Customer: SPR C 3S3 SPR124	LUVATA	
Drawn: VPI	Reference Number: C 3S3 SPR124		
Checked: AVO	Description: C 3S3G044727402120231ALDG3A--P- --		
HEATCRAFT	LUVATA Czech s.r.o. Vrazska 143, 153 00 Prague 16 Radotin Czech republic tel: +420 257 811 129	Part Number: BPA15K710	Revision A
		Scale: 0.2	Format: A3