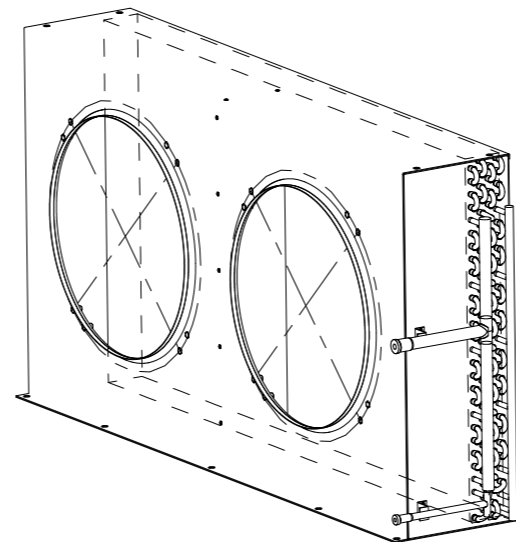


18	11	RIVET Ø4	Steel/Steel	VS4040660
17	16	EURO HEXERT M8 Steel	Steel	VS2280308
16	1	Bottom plate	Steel galva 15/10	HBCRZ2749
15	42	Return bend (kolinko) R : 25,4	Tube Cu Ø3/8"	CO1607311
14	7	Return bend (kolinko) R : 22,9	Tube Cu Ø3/8"	CO1607310
13	1	Separation plate	Steel galva. 15/10	HBCRZ2748
12	1	Fan plate	Steel galva. 15/10	HBCRZ2747
11	1	End plates	Steel galva. 15/10	PGCRZ4943
10	1	End plates	Steel galva. 15/10	PGCRZ4942
9	2	Equerre support	CUIVRE 20/10	HB3891320
8	1	Outlet header	Copper Ø 5/8"	COCRZ4095
7	1	Intlet header	Copper Ø 7/8"	COCRZ4093
6	1	Outlet header	Copper Ø 1/2"	COCRZ4094
5	1	Plug	CAOUTCHOUC	BE1503900
4	1	Plug	CAOUTCHOUC	BE1364006
3	42	Epingle D : 25,4	Tube Cu Ø3/8" smooth/hladka	
2	14	Epingle D : 22,9	Tube Cu Ø3/8" smooth/hladka	
1	492	Fin left 3S2 4N 28T	ALU	
idx	Qty	Description	Material	Part Num.



ECHELLE 0.100

Coil filled up with dry air 0.2 bar.
Vymenik plnen suchym vzduchem 0.2 bar.

Date: 27/09/06	Customer: SPR C3S2 SPR27	LUVATA	
Drawn: APO	Reference Number: C3S2 SPR27		
Checked: VPI	Description: C3S2G042812502540051ALDG2AV-P-		
HEATCRAFT	LUVATA Czech s.r.o. Vrazska 143, 153 00 Prague 16 Radotin Czech republic tel: +420 257 811 129	Part Number: BP210K709	Revision /
	Scale: 0.2	Format: A2	Sheet/Sheets: 1 / 2