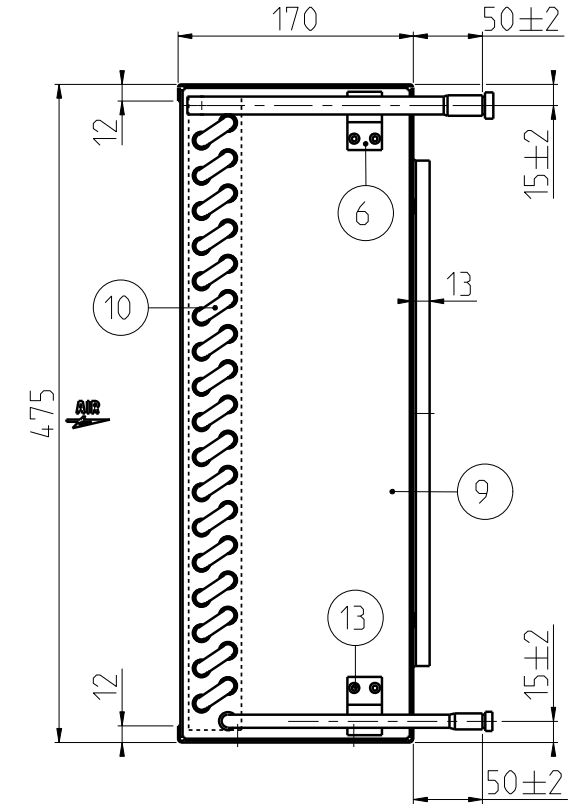
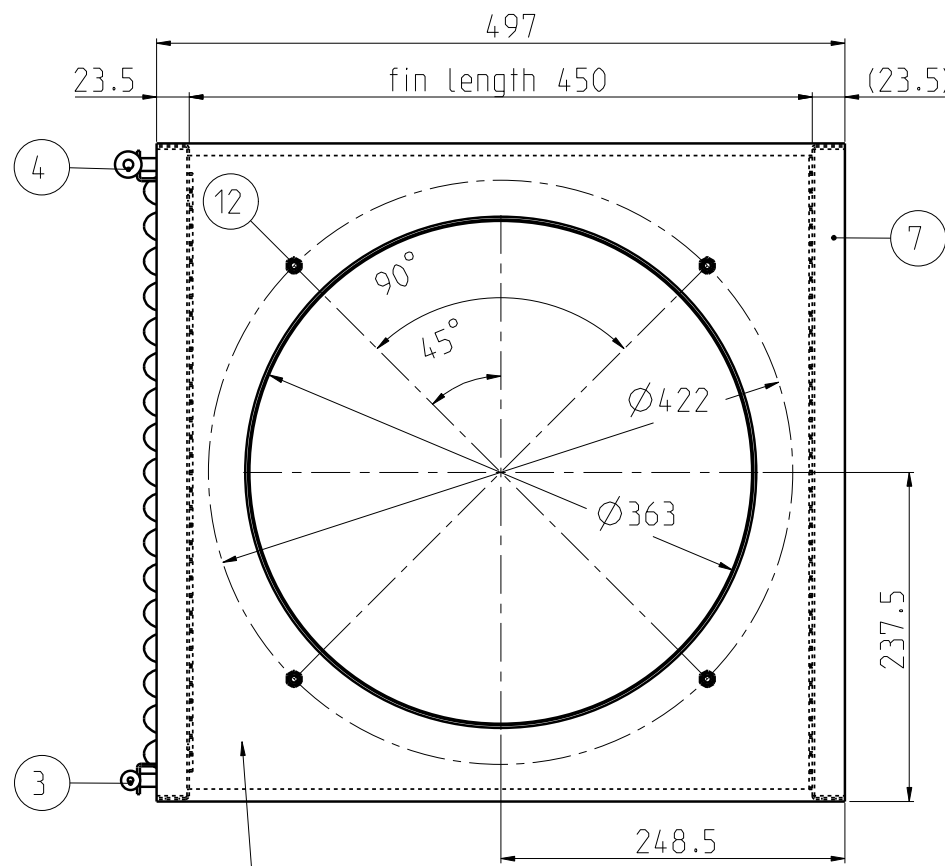
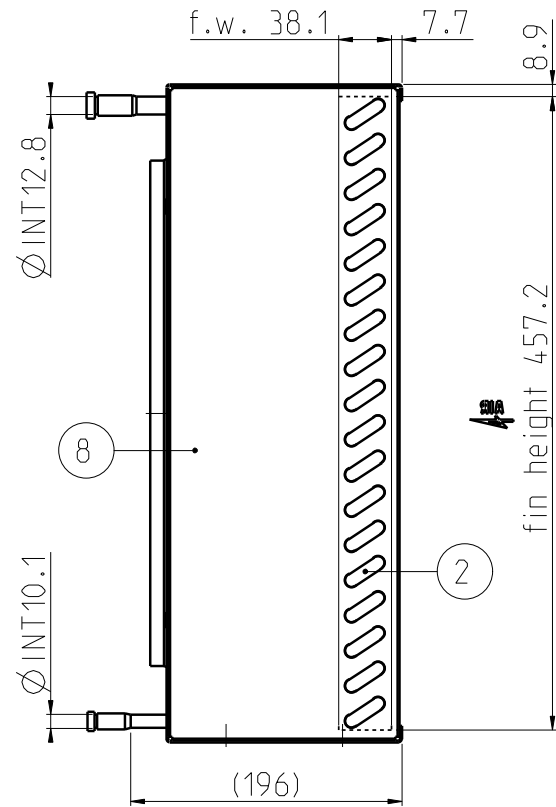
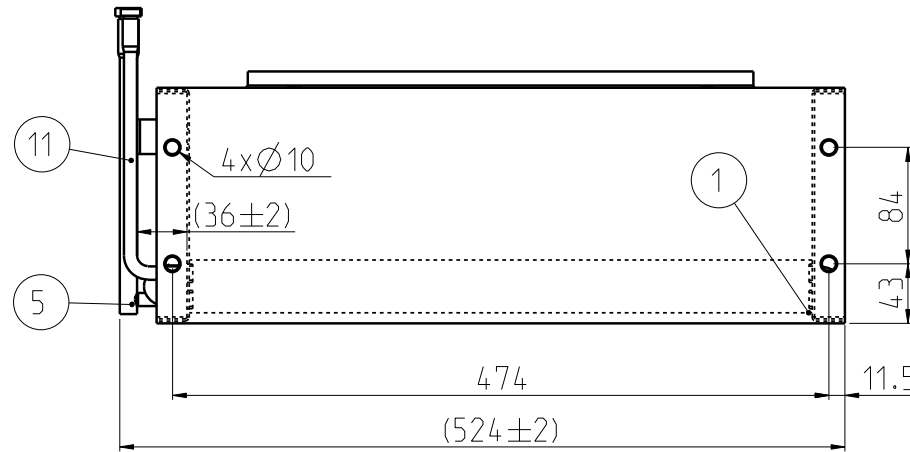


ECHELLE 0.150



idx	Qty	Description	Material	Part Num.
13	4	RIVET Ø4	Steel/Steel	VS4040660
12	4	HEXERT M6 Steel	Steel	VS2968806
11	1	Outlet header	Tube Cu 3/8"	COCRZ4208
10	17	Return bend (kolinko) R : 22.9	Tube Cu Ø3/8"	CO1607310
9	1	End plates	Steel galva. 15/10	PGCRZ5048
8	1	End plates	Steel galva. 15/10	PGCRZ5047
7	1	Fan plate	Steel galva. 12/10	HBCRZ2819
6	2	Equerre support	CUIVRE 20/10	HB3891317
5	1	Inlet header	Copper Ø 1/2"	COCRZ4207
4	1	Plug	CAOUTCHOUC	BE1364006
3	1	Plug	CAOUTCHOUC	BE1364005
2	18	Epingle D : 22.9	Tube Cu Ø3/8" smooth/mladka	
1	175	Fin right 3S2 2N 18T	ALU	
idx	Qty	Description	Material	Part Num.

Coil filled up with dry air 0.2 bar.
Vymenik plnen suchym vzduchem 0.2 bar.

Date: 19/10/06	Customer: SPR C 3S2 SPR4	LUVATA	
Drawn: APO	Reference Number: C 3S2G021804502540011ALDG1AV-P-	Protection / Material: paint/barva Bitzer	
Checked: VPI	Description: C 3S2G021804502540011ALDG1AV-P-	Part Number: BP210K757	Revision: /
HEATCRAFT LUVATA Czech s.r.o. Vrazska 143, 153 00 Prague 16 Radoin Czech republic tel: +420 257 811 129		Scale: 0.3	Format: A2 Sheet/Sheets: 1/2

This document is the property of LUVATA Czech s.r.o. It can not be used, copy or submit without authorisation.