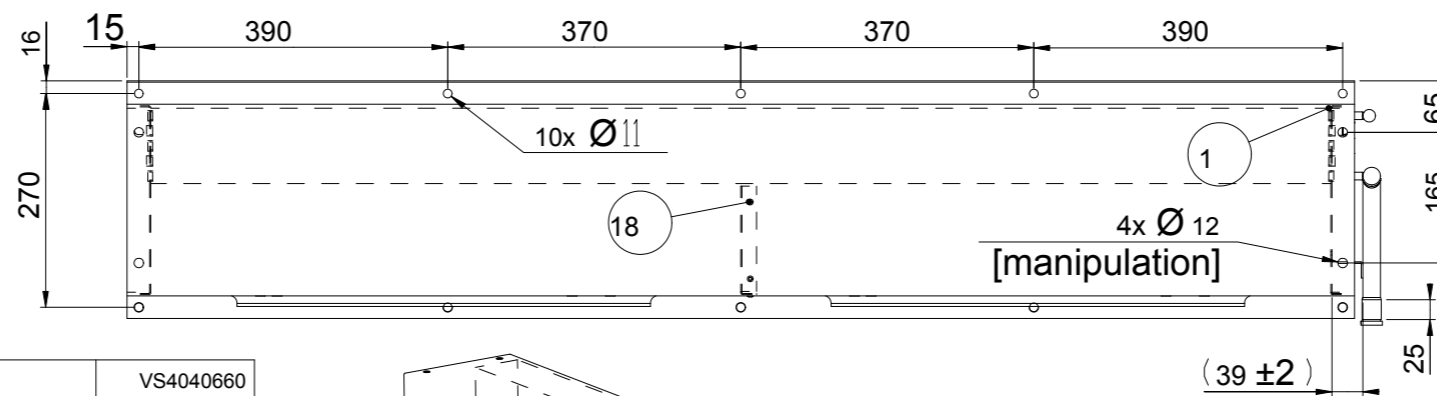
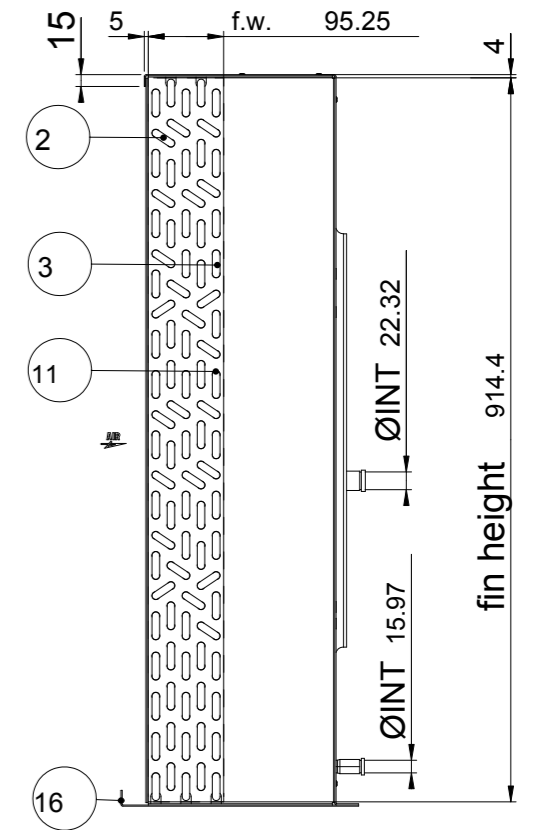
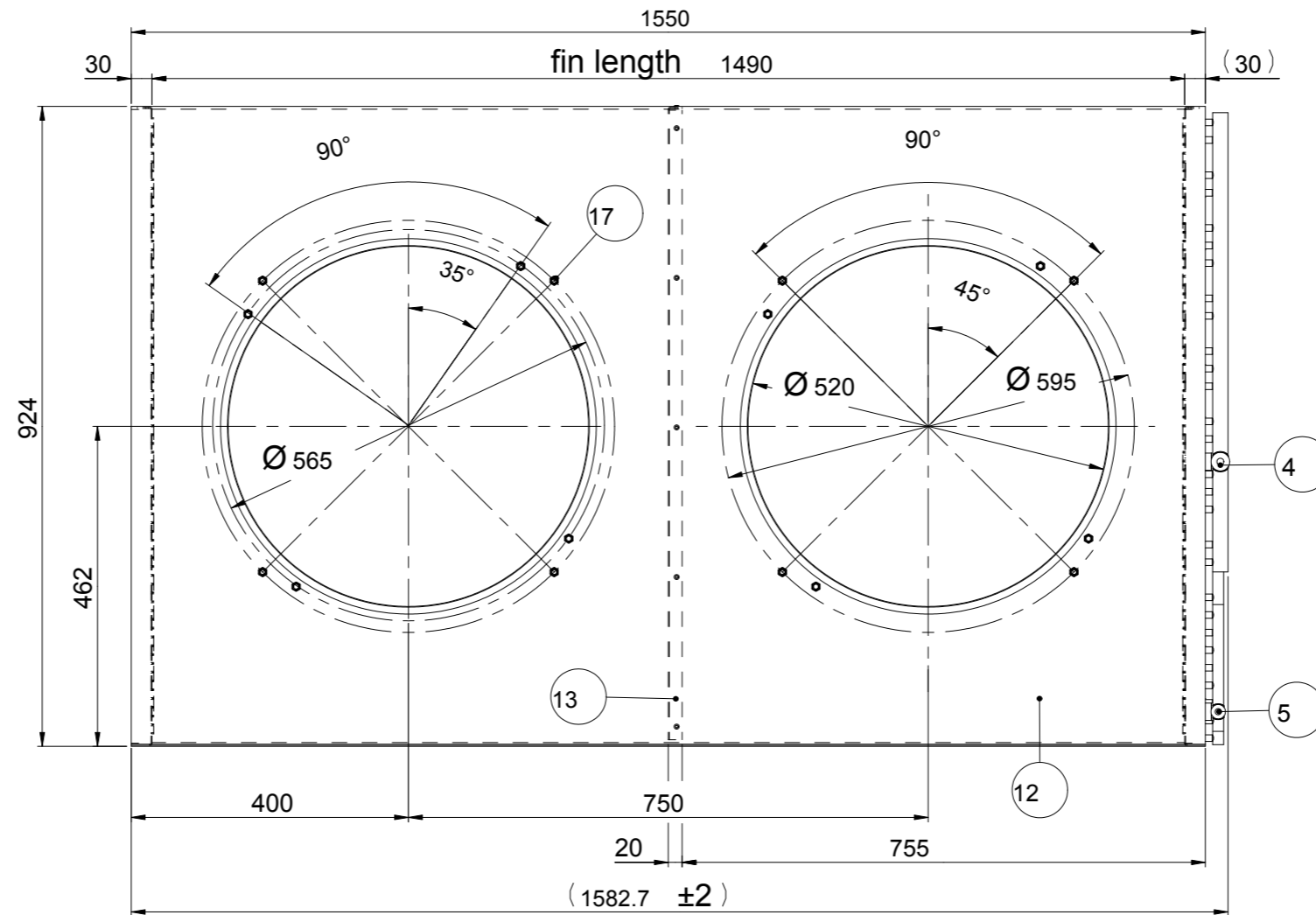
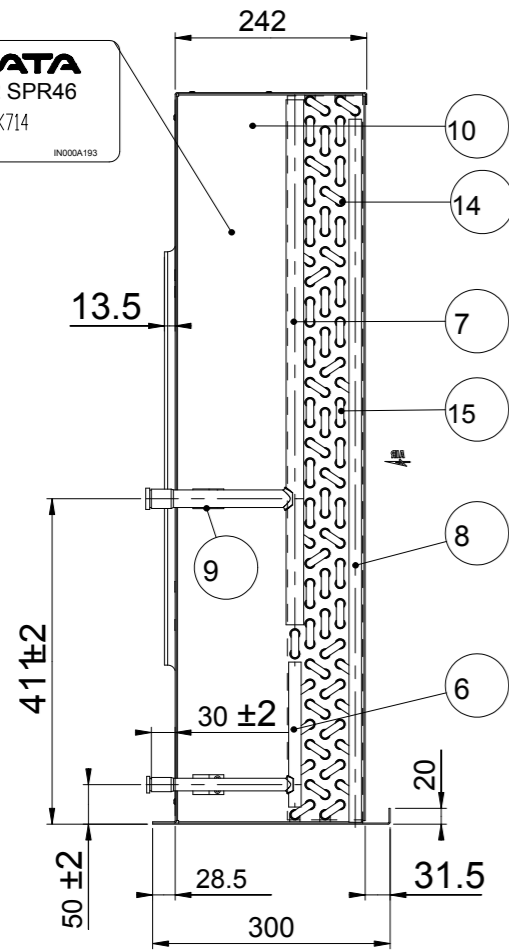
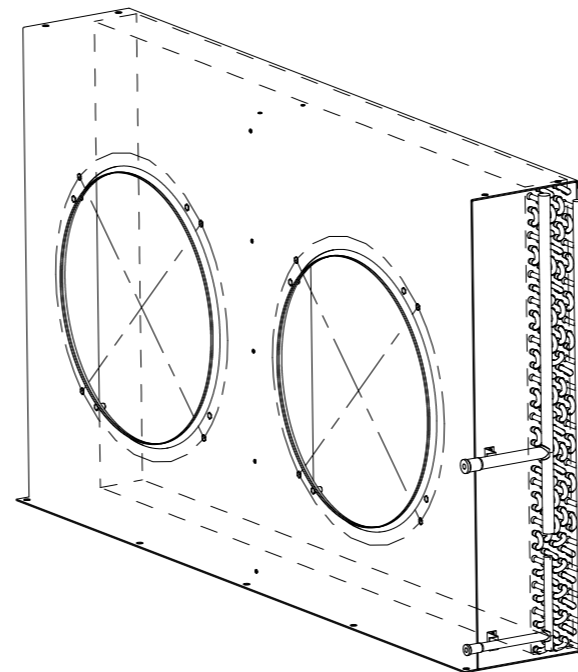


**LUVATA**  
C3S2 SPR46  
BP210K714  
HEATCRAFT IN000A193



idx	Qty	Description	Material	Part Num.
18	11	RIVET Ø4	Steel/Steel	VS4040660
17	16	EURO HEXERT M8 Steel	Steel	VS2280308
16	1	Bottom plate	Steel galva 15/10	HBCRZ2755
15	44	Return bend (kolinko) R : 25,4	Tube Cu Ø3/8"	CO1607311
14	32	Return bend (kolinko) R : 22,9	Tube Cu Ø3/8"	CO1607310
13	1	Separation plate	Steel galva. 15/10	HBCRZ2754
12	1	Fan plate	Steel galva. 15/10	HBCRZ2753
11	1	End plates	Steel galva. 15/10	PGCRZ4948
10	1	End plates	Steel galva. 15/10	PGCRZ4947
9	2	Equerre support	CUIVRE 20/10	HB3891320
8	1	Outlet header	Copper Ø 5/8"	COCRZ4100
7	1	Intlet header	Copper Ø 7/8"	COCRZ4098
6	1	Outlet header	Copper Ø 5/8"	COCRZ4099
5	1	Plug	CAOUTCHOUC	BE1534500
4	1	Plug	CAOUTCHOUC	BE1503900
3	66	Epingle D : 25,4	Tube Cu Ø3/8" smooth/hladka	
2	24	Epingle D : 22,9	Tube Cu Ø3/8" smooth/hladka	
1	586	Fin left 3S2 5N 36T	ALU	



ECHELLE 0.100

Coil filled up with dry air 0.2 bar.  
Vymenik plnen suchym vzduchem 0.2 bar.

Date: 29/09/06	Customer: SPR C3S2 SPR46	<b>LUVATA</b>	
Drawn: APO	Reference Number: Description: C3S2G053614902540101ALDG2AV-P-		Protection / Material: paint/barva Blizer
Checked: JVY			
<b>HEATCRAFT</b>	LUVATA Czech s.r.o. Vrazska 143, 153 00 Prague 16 Radotin Czech republic tel: +420 257 811 129	Part Number: BP210K714	Revision /
	Scale: 0.2	Format: A2	Sheet/Sheets: 1 / 2